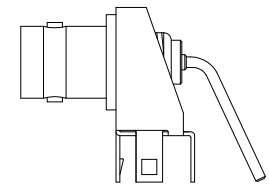
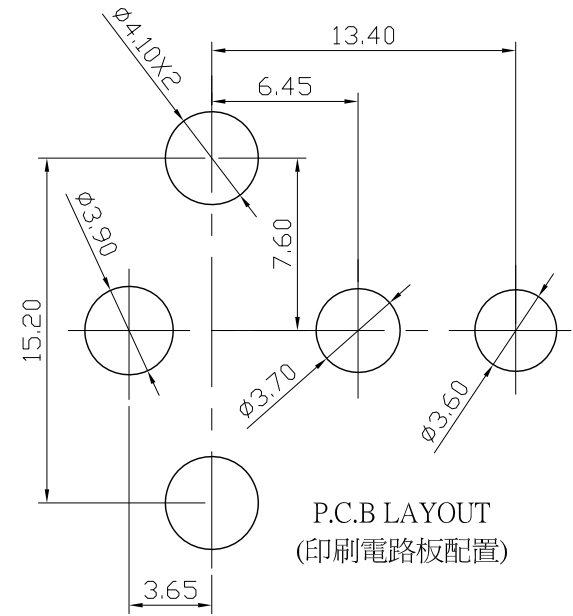
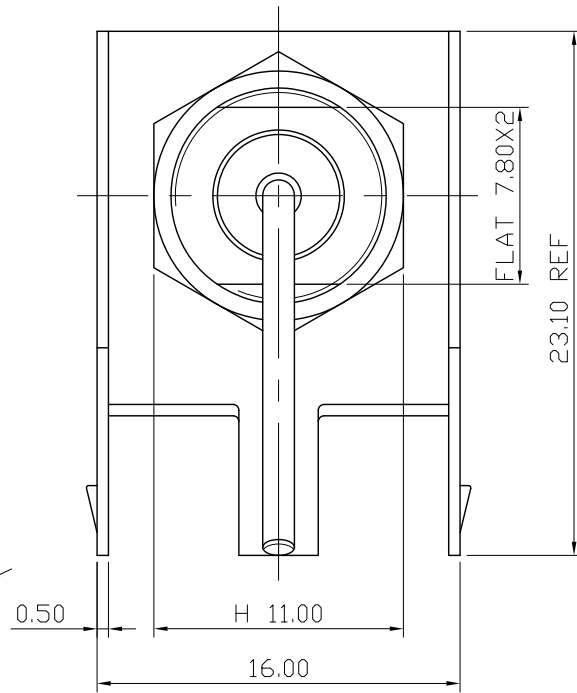
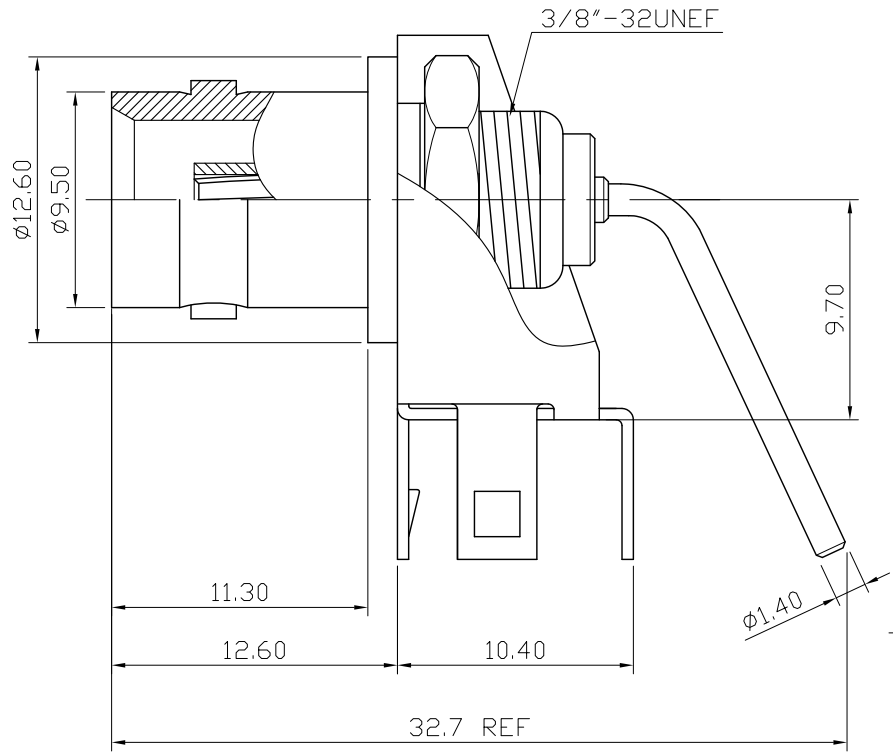



No.	DATE	DESCRIPTION	REV	REMARK : RoHS REQUIREMENT APPLIED (符合RoHS)	DATE	DRAWING NO.
					2009. 12. 04	BC-1101NN-DEL(75)



S 1 : 1

7						DIMENSIONS ARE IN MILLIMETERS UNLESS OTHERWISE PECIFIED TOLERANCES (一般公差) 0.5~6 = ±0.2 >6~30 = ±0.4 >30~120 = ±0.6 >120~315 = ±1 >315~1000 = ±1.6 ANGLES(角度) = ±5°	CHECKED DRAWN <i>Chad</i> DATE 2007. 08. 16	 雅鈦企業有限公司 Aec Connectors Co., Ltd.	
6	nut	1	brass	nickel					
5	lock ring	1	brass	nickel					
4	contact pin	1	brass	nickel					
3	insulator	1	POM	white					
2	mount	1	iron	nickel					
1	body	1	brass	nickel			TITLE BNC FEMALE CHASSIS P.C.B MOUNT DRAWING NO. BC-1050NDN-RA0027 FILE NO. DRAWING\RFBC\BC-1050NDN-RA0027		
NO.	Description	Unit	Materials	Finish	Drawing No.	SCALE	3 : 1	UNIT	MM