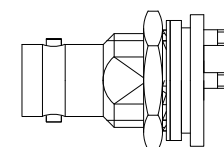
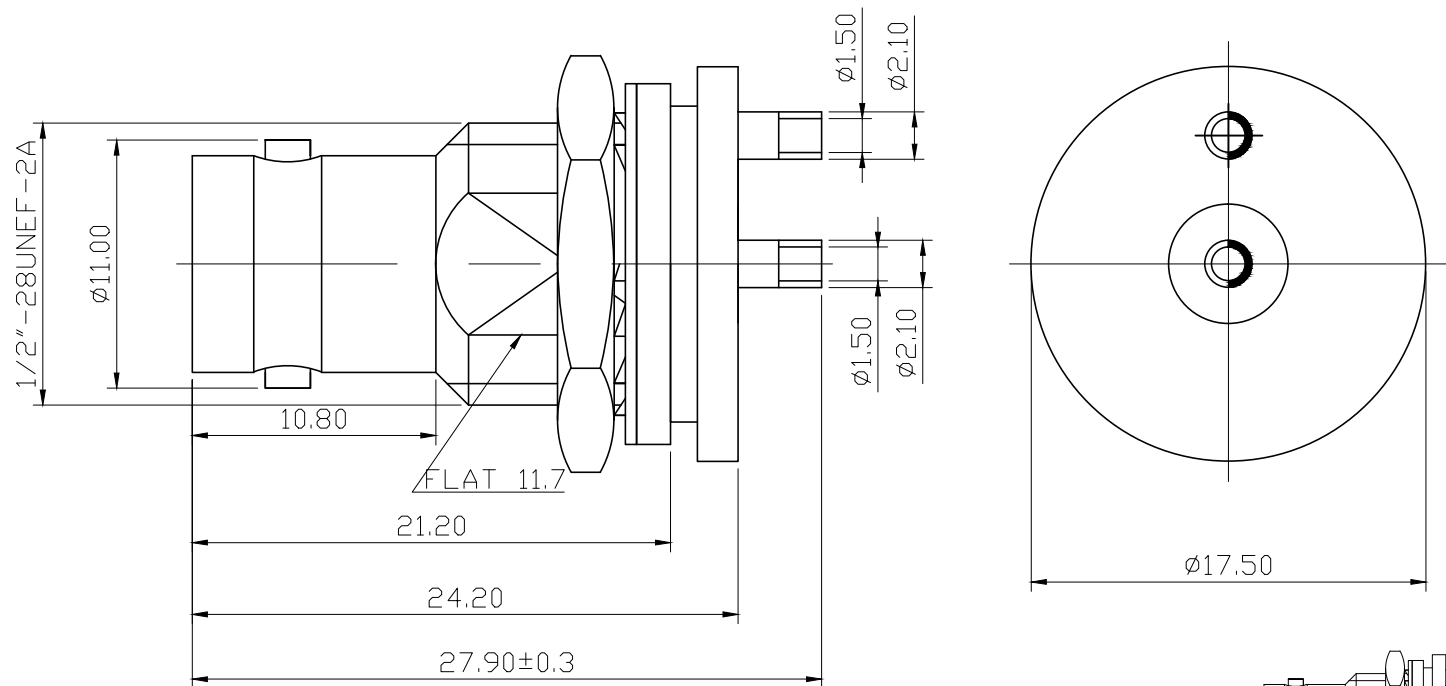


No.	DATE	DESCRIPTION	REV	REMARK : RoHS REQUIREMENT APPLIED (符合RoHS)	DATE	DRAWING NO.




S 1 : 1

8	ground pin	1	brass	nickel	BC03BR040A
7	gasket	1	rubber	red	OT12RU030A
6	lock washer	1	iron	nickel	OT07IR032A
5	nut	1	brass	nickel	OT08BR022A
4	contact pin	1	brass	gold	BC03BR039A
3	insulator	1	PTFE	none	BC02TF031A
2	washer	1	brass	nickel	OT14BR024A
1	body	1	brass	nickel	BC01BR060A
NO.	Description	Unit	Materials	Finish	Drawing No.

DIMENSIONS ARE IN MILLIMETERS			
UNLESS OTHERWISE SPECIFIED TOLERANCES (一般公差)			
0.5~6	= ±0.2		
>6~30	= ±0.4		
>30~120	= ±0.6		
>120~315	= ±1		
>315~1000	= ±1.6		
ANGLES(角度) = ±5°			
SCALE	3 : 1	UNIT	MM

CHECKED
DRAWN <i>Chad</i>
DATE 2015. 05. 04

 雅鈦企業有限公司 Aec Connectors Co., Ltd.	TITLE BNC STRAIGHT JACK BULKHEAD RECEPTACLE, 75 Ohm
	DRAWING NO. BC-1049NTG-SF0027
FILE NO. DRAWING\RF\BC\BC-1049NTG-SF0027	