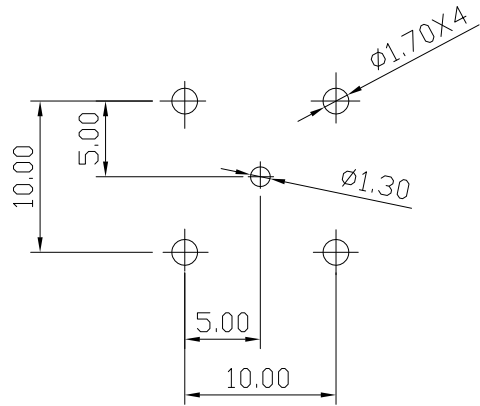
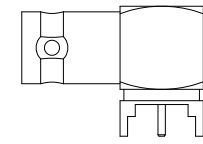
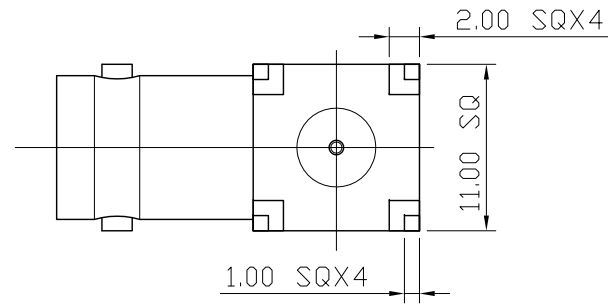
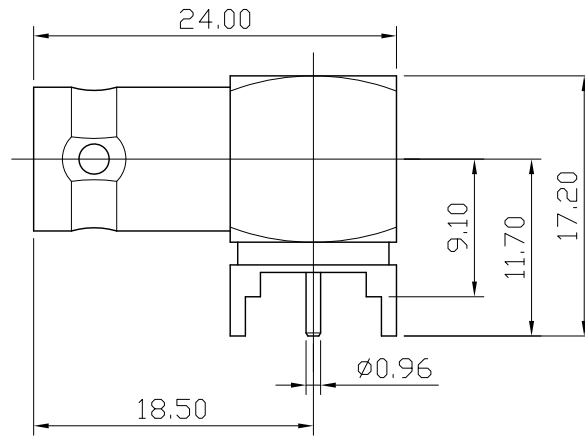



No.	DATE	DESCRIPTION	REV	REMARK : RoHS REQUIREMENT APPLIED (符合RoHS)	DATE	DRAWING NO.
-----	------	-------------	-----	---	------	-------------



P.C.B. LAYOUT
(印刷电路板配置)



S 1 : 1

-						DIMENSIONS ARE IN MILLIMETERS UNLESS OTHERWISE SPECIFIED TOLERANCES (一般公差) 0.5~6 = ±0.2 >6~30 = ±0.4 >30~120 = ±0.6 >120~315 = ±1 >315~1000 = ±1.6 ANGLES(角度) = ±5°	CHECKED	 雅鈦企業有限公司 Aec Connectors Co., Ltd.	
-	insulator	1	PTFE	white			DRAWN		TITLE
-	body	1	brass	nickel			<i>Lala</i>		RIGHT ANGLE BNC FEMALE PCB MOUNT
-	insulator	1	PTFE	white			DATE	DRAWING NO.	
-	contact pin	1	brass	gold			2008. 09. 01	BC-1046NTG-RA0025	
-	body	1	brass	nickel				FILE NO. DRAWING\RF\BC\BC-1046NTG-RA0025	
NO.	Description	Unit	Materials	Finish	Drawing No.	SCALE	2 : 1	UNIT	MM