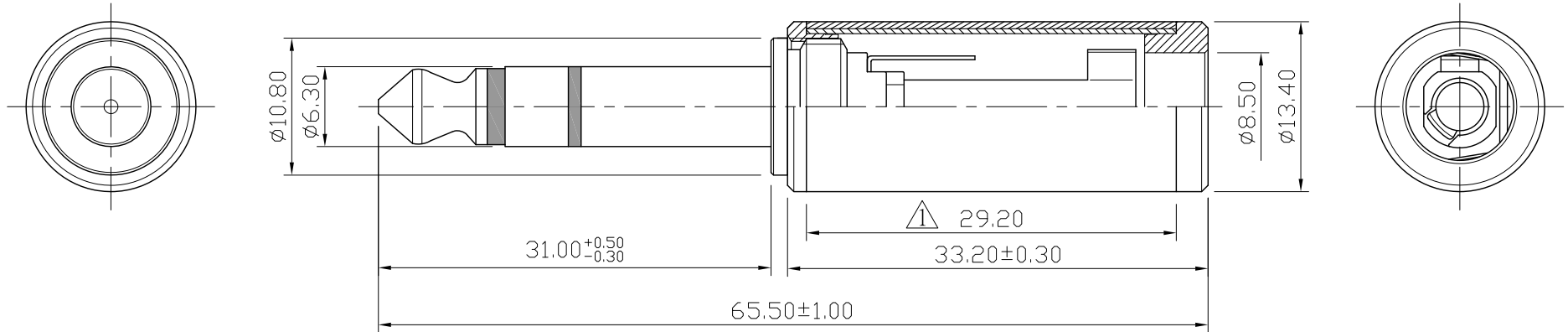
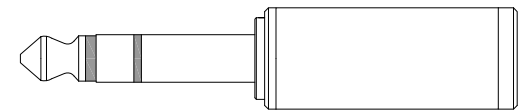


No.	DATE	DESCRIPTION	REV
△	2014. 11. 13	Drawing revised (圖面修正)	A



-	ferrule	1	brass	nature	
-	sleeve	1	brass	gold	
-	headlock	1	brass	gold	
-	shell	1	black carbon fiber	nature	
-	tube	1	brass	nature	
-	contact pin	1	iron	gold	
-	clip	1	brass	gold	
-	solder tab	1	brass	gold	
-	solder tab	1	brass	gold	
-	insulator	1	POM	black	
-	insulator	1	POM	black	
-	insulator	1	POM	white	
-	insulator	1	POM	white	
-	body	1	brass	gold	
-	body	1	brass	gold	
-	body	1	brass	gold	
-	body	1	brass	gold	
NO.	Description	Unit	Materials	Finish	Drawing No.



S 1 : 1

DIMENSIONS ARE IN
MILLIMETERS

UNLESS OTHERWISE SPECIFIED
TOLERANCES
(一般公差)
0.5~6 = ± 0.2
>6~30 = ± 0.4
>30~120 = ± 0.6
>120~315 = ± 1
>315~1000 = ± 1.6
ANGLES(角度) = $\pm 5^\circ$

CHECKED

DRAWN

Sun

DATE

2012. 05. 25



雅鈦企業有限公司
Aec Connectors Co., Ltd.

TITLE

AUDIO PLUG

DRAWING NO.

AP6.3-4042BKFGG-Stereo-8.5

FILE NO. DRAWING\AUDIO\AP\AP6.3-4042BKFGG-Stereo-8.5

SCALE 2 : 1 UNIT MM