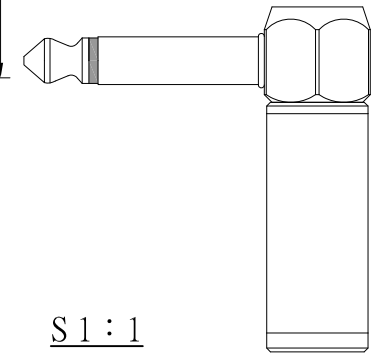
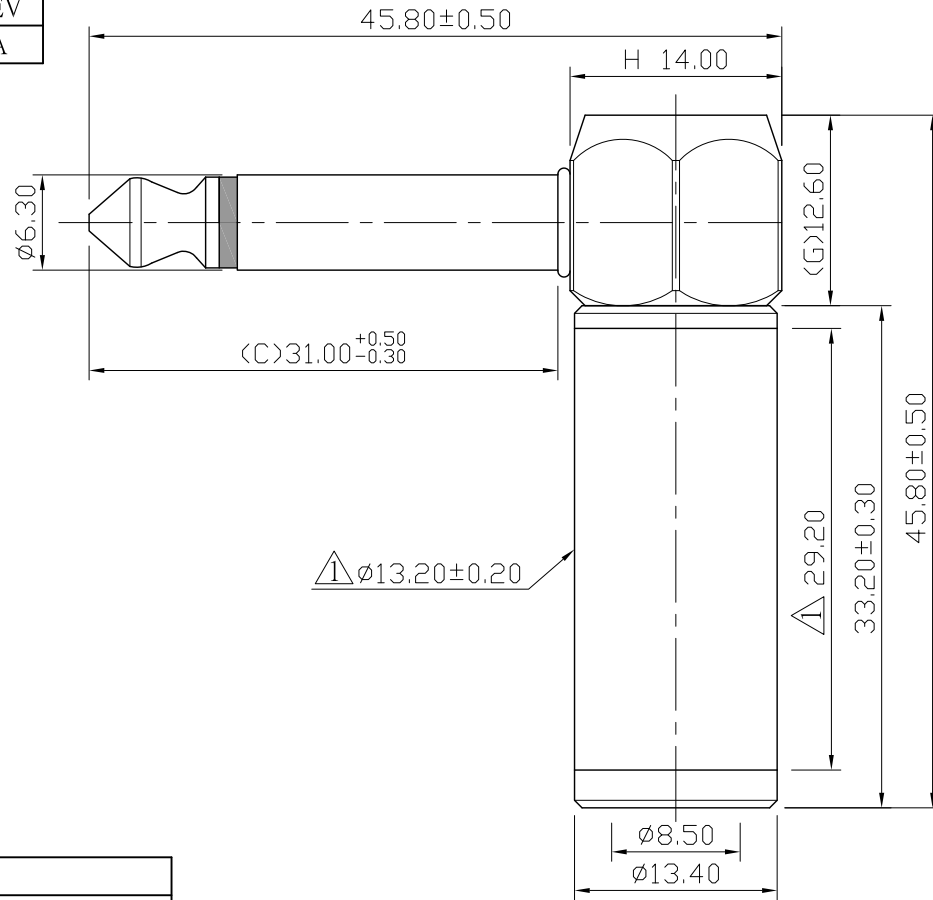
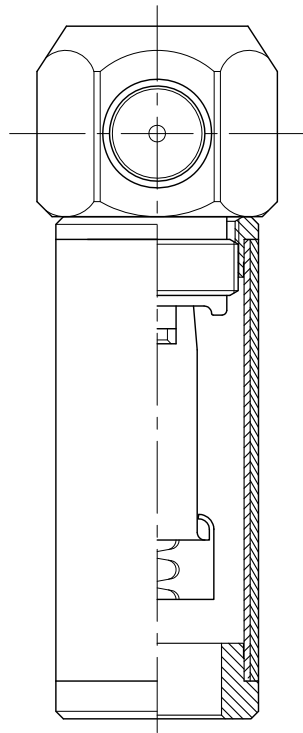


No.	DATE	DESCRIPTION	REV
△	2014. 11. 13	Drawing revised (圖面修正)	A



S 1 : 1

-	insulator	1	POM	white	
-	contact pin	1	brass	gold	
-	sleeve	1	brass	gold	
-	headlock	1	brass	gold	
-	shell	1	black carbon fiber	nature	
-	tube	1	brass	nature	
-	insulator	1	POM	black	
-	clip	1	brass	gold	
-	insulator	1	bakelite	brown	
-	contact pin	1	iron	gold	
-	ring	1	brass	gold	
-	body	1	brass	gold	
-	body	1	brass	gold	
-	body	1	brass	gold	
NO.	Description	Unit	Materials	Finish	Drawing No.

DIMENSIONS ARE IN MILLIMETERS

UNLESS OTHERWISE SPECIFIED TOLERANCES (一般公差)
 0.5~6 = ± 0.2
 >6~30 = ± 0.4
 >30~120 = ± 0.6
 >120~315 = ± 1
 >315~1000 = ± 1.6
 ANGLES(角度) = $\pm 5^\circ$

CHECKED

DRAWN

Sun

DATE

2012. 05. 25



雅鈦企業有限公司
Aec Connectors Co., Ltd.

TITLE

AUDIO PLUG

DRAWING NO.

AP6.3-4041BKFGG-Mono-8.5

FILE NO. DRAWING\AUDIO\AP\AP6.3-4041BKFGG-Mono-8.5

SCALE 2 : 1 UNIT MM