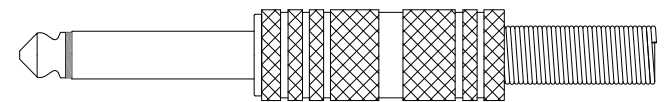
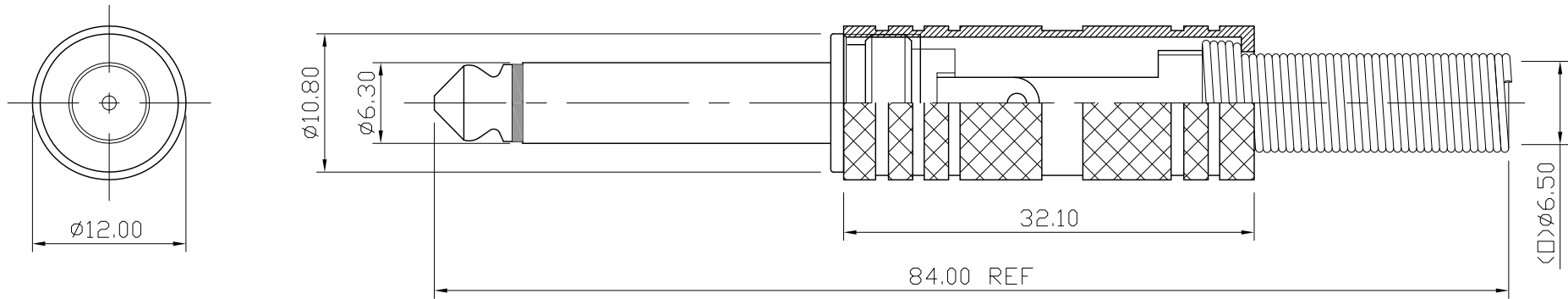


REMARK : RoHS REQUIREMENT APPLIED
(符合RoHS)



S 1 : 1

-	spring	1	brass	nickel	
-	shell	1	brass	nickel	
-	clip	1	brass	nickel	
-	insulator	1	plastic	black	
-	insulator	1	plastic	white	
-	solder tab	1	brass	nickel	
-	contact pin	1	iron	nickel	
-	body	1	brass	nickel	
-	body	1	brass	nickel	
-	body	1	brass	nickel	
NO.	Description	Unit	Materials	Finish	Drawing No.

DIMENSIONS ARE IN
MILLIMETERS
UNLESS OTHERWISE SPECIFIED
TOLERANCES
(一般公差)
$0.5\sim 6 = \pm 0.2$
$>6\sim 30 = \pm 0.4$
$>30\sim 120 = \pm 0.6$
$>120\sim 315 = \pm 1$
$>315\sim 1000 = \pm 1.6$
ANGLES(角度) = $\pm 5^\circ$

CHECKED

DRAWN

Otis

DATE

2010. 05. 28



雅鈦企業有限公司
Aec Connectors Co., Ltd.

TITLE

AUDIO PLUG

DRAWING NO.

AP6.3-262NN-Mono

FILE NO.

DRAWING\AUDIO\AP\AP6.3-262NN-Mono

SCALE

2 : 1

UNIT

MM