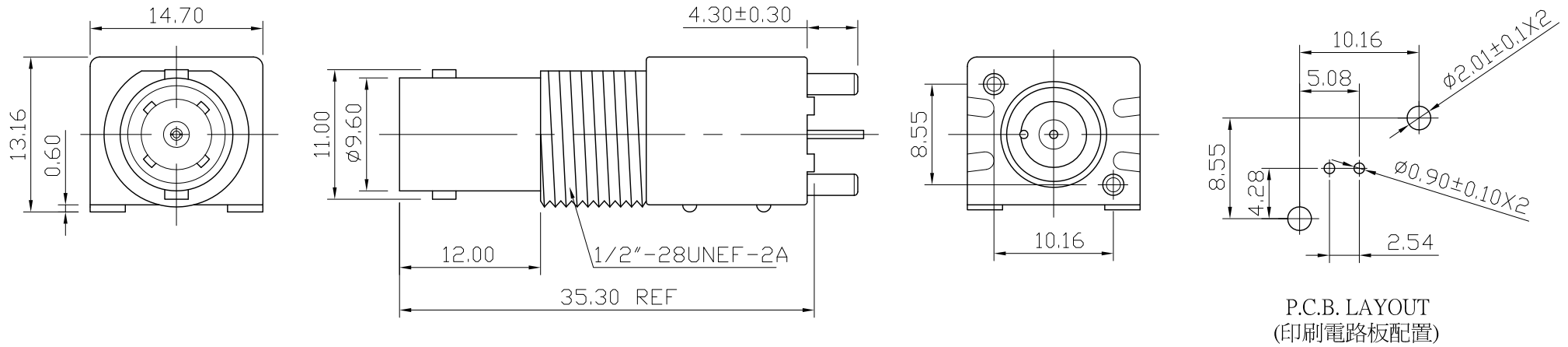
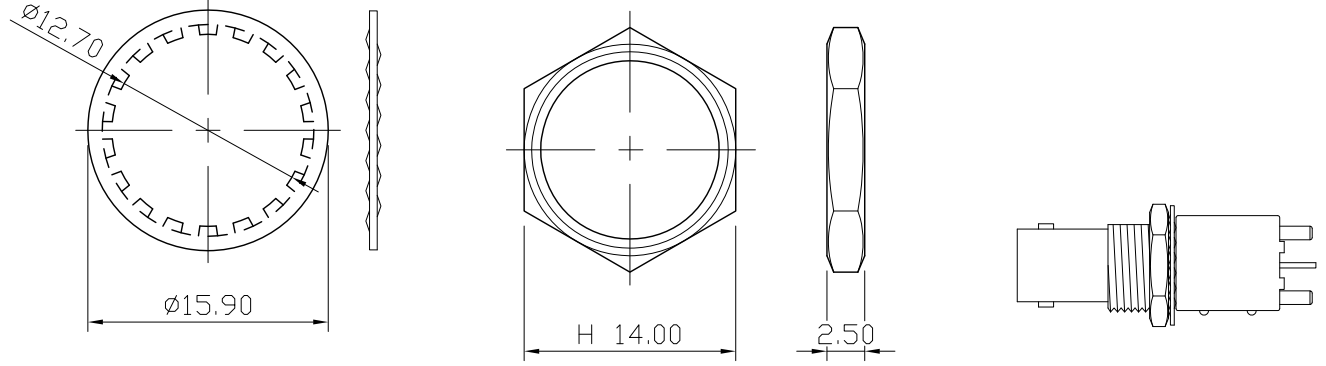
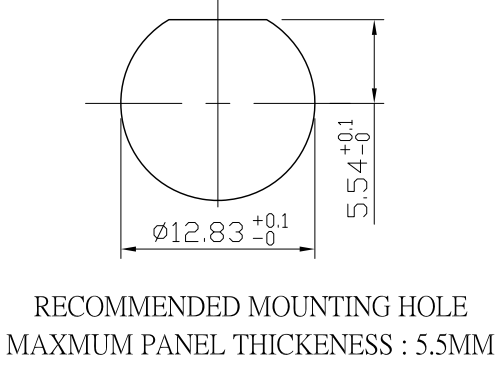


No.	DATE	DESCRIPTION	REV	REMARK : RoHS REQUIREMENT APPLIED (符合RoHS)	DATE	DRAWING NO.
-----	------	-------------	-----	---	------	-------------



P.C.B. LAYOUT  
(印刷电路板配置)




S 1 : 1

-	nut	1	brass	nickel	
-	washer	1	SS41	nickel	
-	solder tail	1	copper	tin	
-	post	2	phosphor bronze	tin	
-	contact pin	1	phosphor bronze	gold	
-	insulator	1	PE-606	white	
-	housing	1	PBT	white	
-	body	1	zinc alloy	nickel	
NO.	Description	Unit	Materials	Finish	Drawing No.

DIMENSIONS ARE IN MILLIMETERS  
UNLESS OTHRWISE PECIFIED TOLERANCES  
(一般公差)  
0.5~6 = ±0.2  
>6~30 = ±0.4  
>30~120 = ±0.6  
>120~315 = ±1  
>315~1000 = ±1.6  
ANGLES(角度) = ±5°

SCALE 2 : 1 UNIT MM

CHECKED  
DRAWN *Lala*  
DATE 2009. 08. 12



雅鈦企業有限公司  
Aec Connectors Co., Ltd.

TITLE BNC FEMALE VERTICAL PCB RECEPTACLE  
DRAWING NO. BC-1042NEG-SA0027A  
FILE NO. DRAWINGRFBCBC-1042NEG-SA0027A