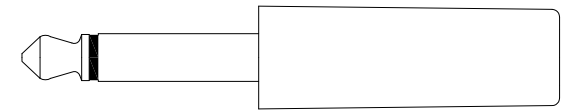
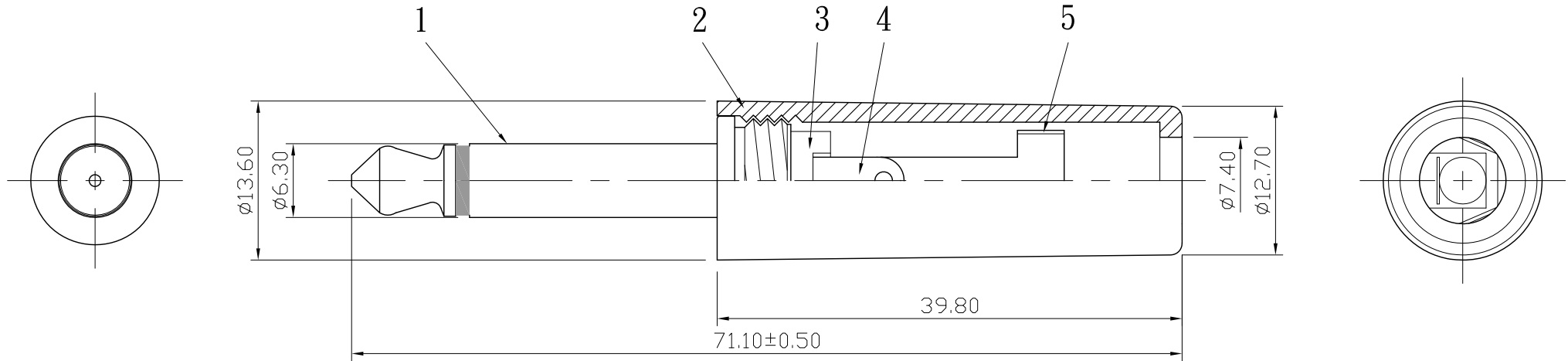



REMARK : RoHS REQUIREMENT APPLIED  
(符合RoHS)



S 1 : 1

|     |             |      |            |        |             |  |             |  |    |      |              |
|-----|-------------|------|------------|--------|-------------|--|-------------|--|----|------|--------------|
| 7   |             |      |            |        |             | DIMENSIONS ARE IN<br>MILLIMETERS<br><br>UNLESS OTHERWISE PECIFIED<br>TOLERANCES<br>(一般公差)<br>0.5~6 = ±0.2<br>>6~30 = ±0.4<br>>30~120 = ±0.6<br>>120~315 = ±1<br>>315~1000 = ±1.6<br>ANGLES(角度) = ±5° | CHECKED     |  雅鈦企業有限公司<br>Aec Connectors Co., Ltd. |    |      |              |
| 6   |             |      |            |        | DRAWN       |  | TITLE       |  |    |      |              |
| 5   | clip        | 1    | brass      | nickel |             |  | <i>Lala</i> | AUDIO PLUG   |    |      |              |
| 4   | solder tab  | 1    | brass      | nickel |             |  |             | DRAWING NO.  |    |      |              |
| 3   | insulator   | 1    | POM        | white  |             |  |             | AP6.3-257BKPLN(ZA)-Mono  |    |      |              |
| 2   | shell       | 1    | plastic    | black  |             |  |             | FILE NO.   |    |      |              |
| 1   | body        | 1    | zinc alloy | nickel |             |  |             | DRAWING\AUDIO\AP\AP6.3-257BKPLN(ZA)-Mono   |    |      |              |
| NO. | Description | Unit | Materials  | Finish | Drawing No. | SCALE  | 2 : 1       | UNIT   | MM | DATE | 2008. 01. 03 |