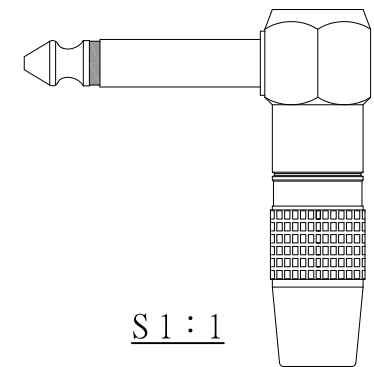


REMARK : RoHS REQUIREMENT APPLIED
(符合RoHS)



-	shell	1	brass	gold	
-	clip	1	brass	gold	
-	insulator	1	POM	black	
-	insulator	1	bakelite	brown	
-	contact pin	1	brass	gold	
-	body	1	brass	gold	
-	body	1	brass	gold	
-	body	1	brass	gold	
-	body	1	brass	gold	
NO.	Description	Unit	Materials	Finish	Drawing No.

DIMENSIONS ARE IN MILLIMETERS
UNLESS OTHERWISE SPECIFIED
TOLERANCES
(一般公差)
0.5~6 = ±0.2
>6~30 = ±0.4
>30~120 = ±0.6
>120~315 = ±1
>315~1000 = ±1.6
ANGLES(角度) = ±5°

CHECKED

DRAWN
Jim
DATE
2011. 11. 04

 雅鈦企業有限公司
Aec Connectors Co., Ltd.

TITLE
AUDIO PLUG

DRAWING NO.
AP6.3-201GG-Mono-7.5

FILE NO. DRAWING\AUDIO\AP\AP6.3-201GG-Mono-7.5