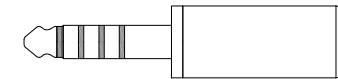
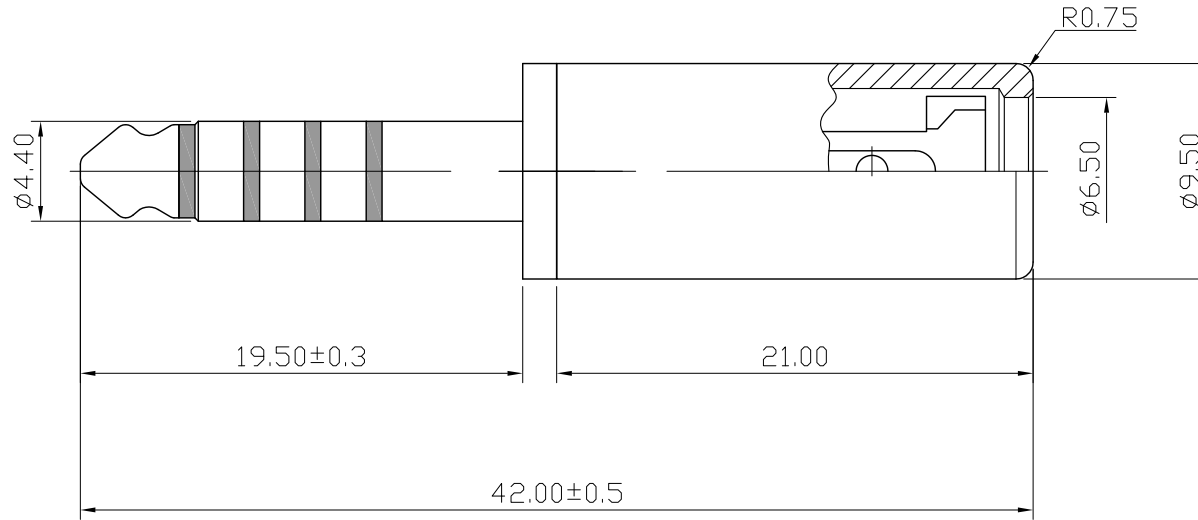


No.	DATE	DESCRIPTION	REV	REMARK : RoHS REQUIREMENT APPLIED (符合RoHS)	DATE	DRAWING NO.
			A			



S 1 : 1

-	shell	1	aluminum	clear anodic treatment	
-	clip	1	brass	gold	
-	ring	1	brass	gold	
-	lock head	1	brass	gold	
-	insulator	4	POM	black	
-	body d	1	brass	gold	
-	body c	1	brass	gold	
-	body b	1	brass	gold	
-	body a	1	brass	gold	
-	contact pin	1	brass	gold	
NO.	Description	Unit	Materials	Finish	Drawing No.

DIMENSIONS ARE IN MILLIMETERS
UNLESS OTHERWISE SPECIFIED
TOLERANCES
(一般公差)
0.5~6 = ±0.2
>6~30 = ±0.4
>30~120 = ±0.6
>120~315 = ±1
>315~1000 = ±1.6
ANGLES(角度) = ±5°

CHECKED

DRAWN
Chad
DATE
2016. 12. 05

 雅鈦企業有限公司
Aec Connectors Co., Ltd.

TITLE
4.4mm 5 Pole TRS PLUG

DRAWING NO.
AP4.4-550ATG-5POLE-6.5

FILE NO. DRAWING\AUDIO\AP\AP4.4-550ATG-5POLE-6.5