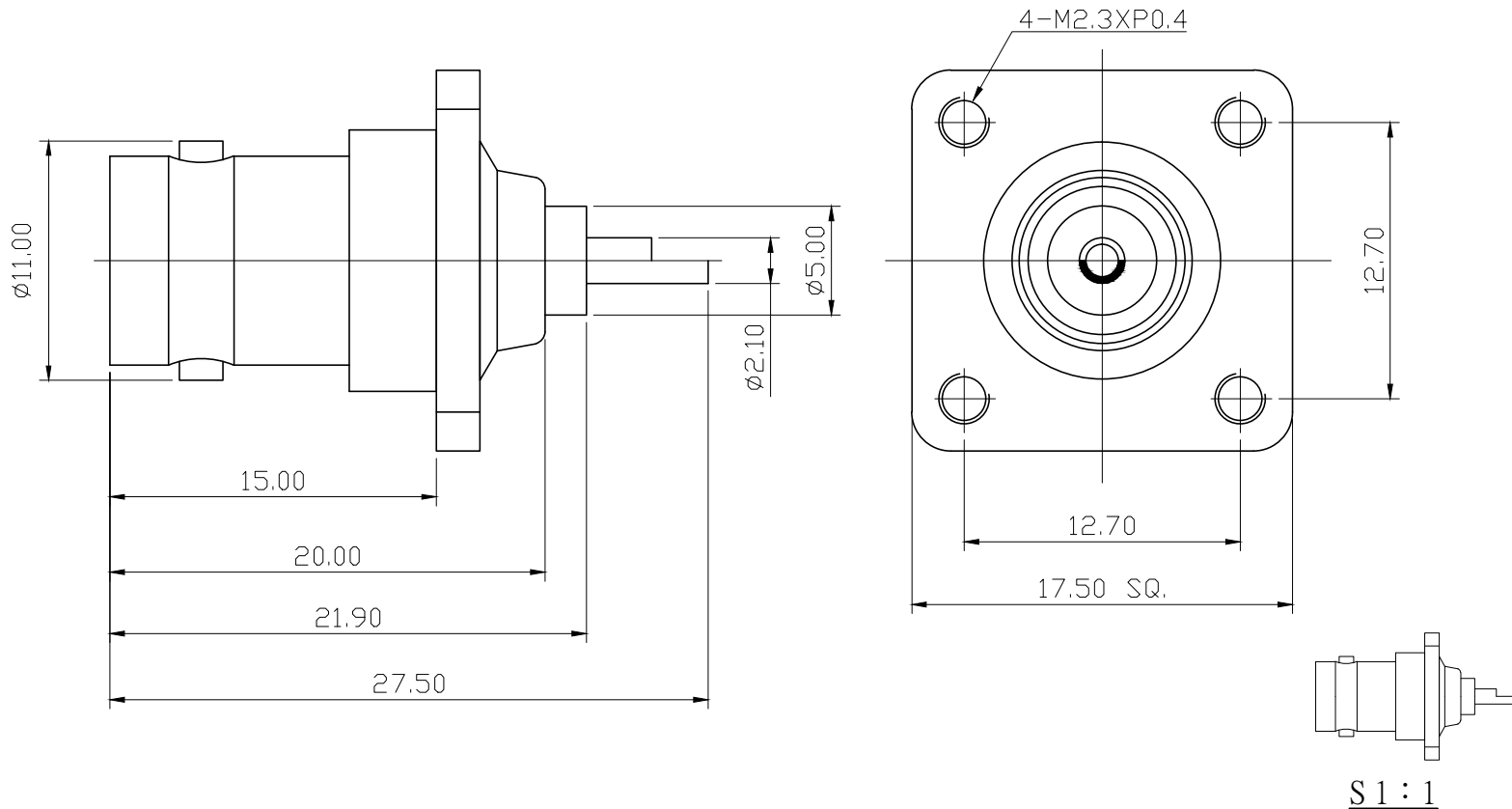



No.	DATE	DESCRIPTION	REV	REMARK : RoHS REQUIREMENT APPLIED (符合RoHS)	DATE	DRAWING NO.
-----	------	-------------	-----	-----------------------------------------------	------	-------------



-						DIMENSIONS ARE IN MILLIMETERS UNLESS OTHERWISE SPECIFIED TOLERANCES (一般公差) 0.5~6 = ±0.2 >6~30 = ±0.4 >30~120 = ±0.6 >120~315 = ±1 >315~1000 = ±1.6 ANGLES(角度) = ±5°	CHECKED	 雅鈦企業有限公司 Aec Connectors Co., Ltd.	
-							DRAWN <i>Chad</i>		TITLE BNC STRAIGHT JACK PANEL CHASSIS MOUNT RECEPTACLE , 50 Ohm
-							DATE 2015. 06. 10	DRAWING NO. BC-1037ANTG-SE0025	
4	panel	1	brass	nickel	OT18BR002A	SCALE 3 : 1	UNIT	MM	FILE NO. DRAWING\RF\BC\BC-1037ANTG-SE0025
3	contact pin	1	brass	gold	TC03BR023A				
2	insulator	1	PTFE	nature	TC02TF021A				
1	body	1	brass	nickel	TC01BR023A				
NO.	Description	Unit	Materials	Finish	Drawing No.				