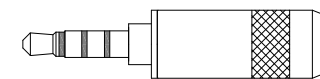
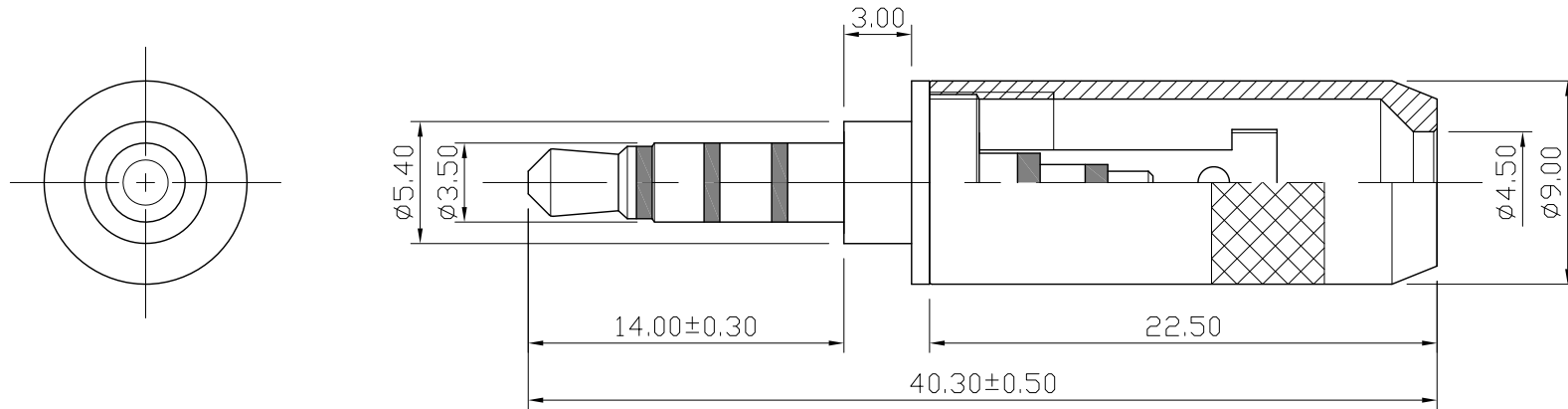


REMARK : RoHS REQUIREMENT APPLIED  
(符合RoHS)




S 1 : 1

-	shell	1	brass	matte black	APSL0002BR-MBC
-	ring	1	brass	gold	BODY-AP3.5-4061G-4Pole
-	clip	1	brass	gold	
-	head lock	1	brass	gold	
-	insulator	1	POM	black	
-	contact pin	1	brass	gold	
-	body	1	brass	gold	
-	body	1	brass	gold	
-	body	1	brass	gold	
-	body	1	brass	gold	
-	body	1	brass	gold	
NO.	Description	Unit	Materials	Finish	Drawing No.

DIMENSIONS ARE IN MILLIMETERS		
UNLESS OTHERWISE PECIFIED TOLERANCES (一般公差)		
0.5~6	= ±0.2	
>6~30	= ±0.4	
>30~120	= ±0.6	
>120~315	= ±1	
>315~1000	= ±1.6	
ANGLES(角度) = ±5°		
SCALE	3 : 1	UNIT MM

CHECKED	
DRAWN	<i>Jim</i>
DATE	2014. 11. 26

 <b>雅鈦企業有限公司</b> Aec Connectors Co., Ltd.	TITLE	AUDIO PLUG
	DRAWING NO.	AP3.5-4061MBCG-4Pole-4.5
	FILE NO.	DRAWINGAUDIO\AP3.5-4061MBCG-4Pole-4.5