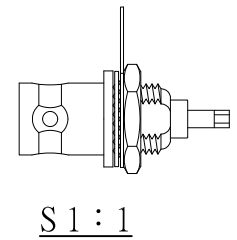
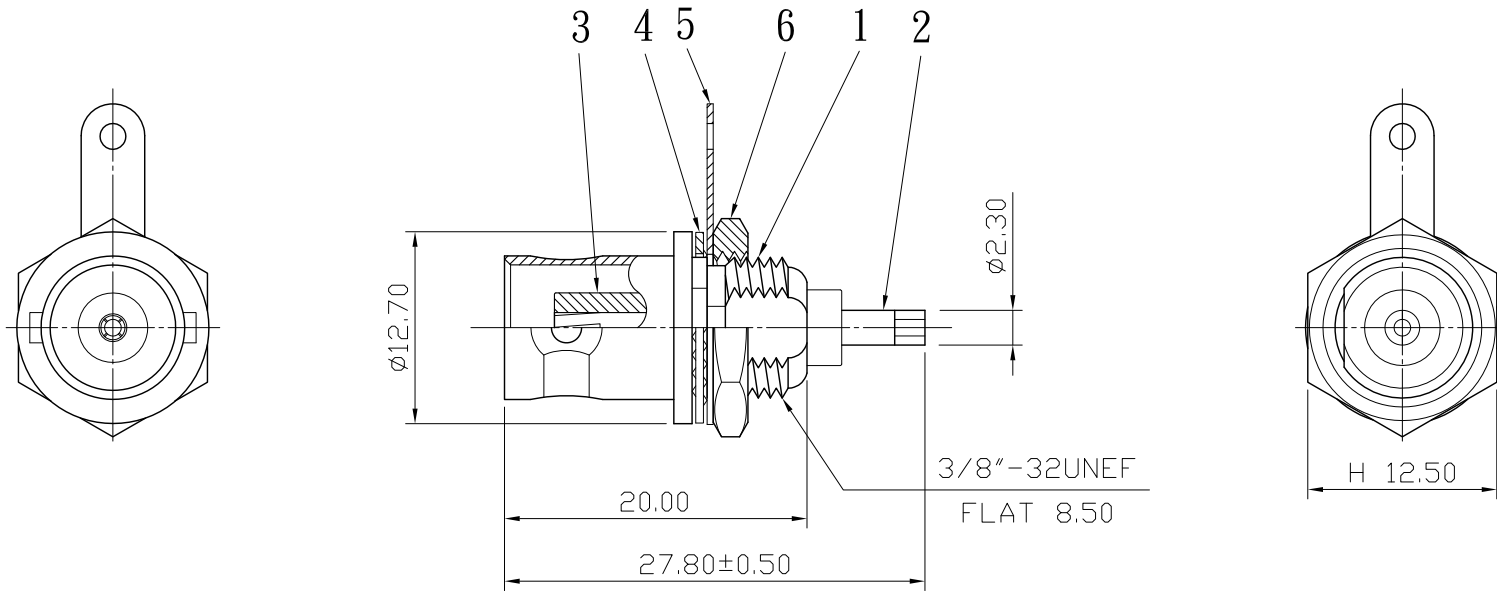



No.	DATE	DESCRIPTION	REV	REMARK : RoHS REQUIREMENT APPLIED (符合RoHS)	DATE	DRAWING NO.
					2009. 02. 27	BC-1034NG-DEL(50)



7						DIMENSIONS ARE IN MILLIMETERS  UNLESS OTHERWISE PECIFIED TOLERANCES (一般公差) 0.5~6 = ±0.2 >6~30 = ±0.4 >30~120 = ±0.6 >120~315 = ±1 >315~1000 = ±1.6 ANGLES(角度) = ±5°	CHECKED	 雅鈦企業有限公司 Aec Connectors Co., Ltd.	
6	nut	1	steel	nickel			DRAWN <i>Jim</i>		TITLE BNC FEMALE BULKHEAD
5	solder tab	1	brass	nickel					DATE 2007. 12. 21
4	washer	1	steel	nickel				FILE NO. DRAWING/RF/BC/BC-1035NDG-SB0025	
3	insulator	1	POM	white					
2	contact pin	1	brass	gold					
1	body	1	brass	nickel					
NO.	Description	Unit	Materials	Finish	Drawing No.	SCALE   2 : 1   UNIT   MM			