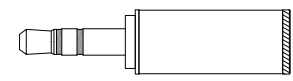
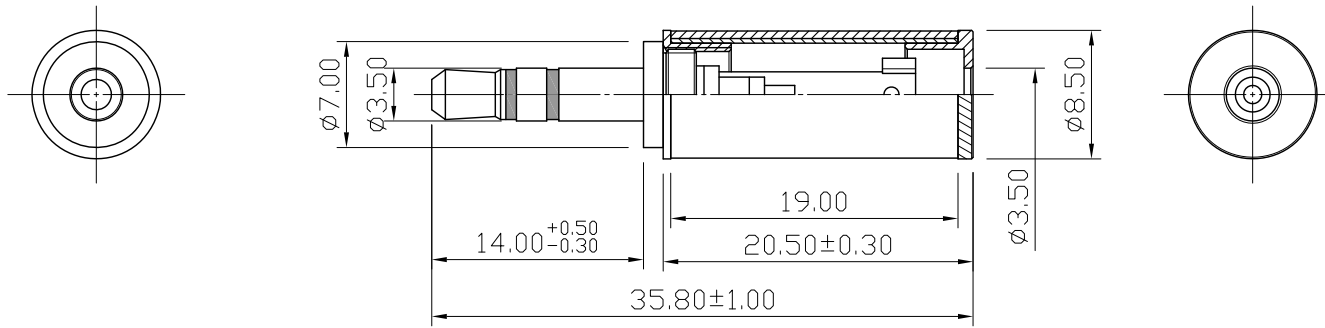



No.	DATE	DESCRIPTION	REV
△	2012. 10. 01	Drawing to renew 圖面更新	A



S 1 : 1

-	sleeve	1	brass	nickel	
-	shell	1	black carbon fiber	natuue	
-	tube	1	brass	natuue	
-	headlock	1	brass	nickel	
-	clip	1	brass	nickel	
-	contact pin	1	brass	nickel	
-	insulator	1	plastic	black	
-	insulator	1	plastic	black	
-	insulator	1	plastic	black	
-	body	1	brass	nickel	BODY-AP3.5-4041N-Stereo
-	body	1	brass	nickel	
-	body	1	brass	nickel	
-	body	1	brass	nickel	
-	body	1	brass	nickel	
NO.	Description	Unit	Materials	Finish	Drawing No.

DIMENSIONS ARE IN MILLIMETERS UNLESS OTHRWISE PECIFIED TOLERANCES (一般公差) 0.5~6 = ±0.2 >6~30 = ±0.4 >30~120 = ±0.6 >120~315 = ±1 >315~1000 = ±1.6 ANGLES(角度) = ±5°	CHECKED	 雅鈦企業有限公司 Aec Connectors Co., Ltd.
	DRAWN <i>Tina</i>	
DATE 2011. 05. 13	DRAWING NO. AP3.5-4042BKFNN-Stereo-3.5	
SCALE 2 : 1	UNIT MM	FILE NO. DRAWING\AUDIO\AP\AP3.5-4042BKFNN-Stereo-3.5