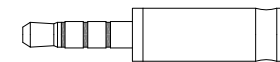
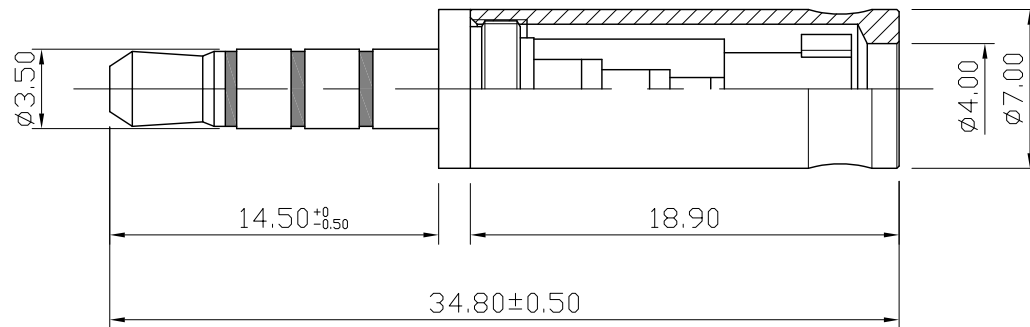


REMARK : RoHS REQUIREMENT APPLIED
(符合RoHS)



S 1 : 1

-	contact pin	1	brass	gold	
-	shell	1	aluminum	clear anodic treatment	
-	clip	1	brass	gold	
-	insulator	1	plastic	black	
-	insulator	1	plastic	black	
-	insulator	1	plastic	black	
-	insulator	1	plastic	black	
-	body	1	brass	gold	
-	body	1	brass	gold	
-	body	1	brass	gold	
-	body	1	brass	gold	
-	body	1	brass	gold	
NO.	Description	Unit	Materials	Finish	Drawing No.

DIMENSIONS ARE IN
MILLIMETERS

UNLESS OTHERWISE PECIFIED
TOLERANCES
(一般公差)
0.5~6 = ±0.2
>6~30 = ±0.4
>30~120 = ±0.6
>120~315 = ±1
>315~1000 = ±1.6
ANGLES(角度) = ±5°

CHECKED

DRAWN

Jim

DATE

2013. 08. 19



雅鈦企業有限公司
Aec Connectors Co., Ltd.

TITLE

AUDIO PLUG

DRAWING NO.

AP3.5-4041AALG-4Pole-4.0

FILE NO.

DRAWING\AUDIO\AP\AP3.5-4041AALG-4Pole-4.0

SCALE

3 : 1

UNIT

MM