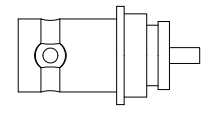
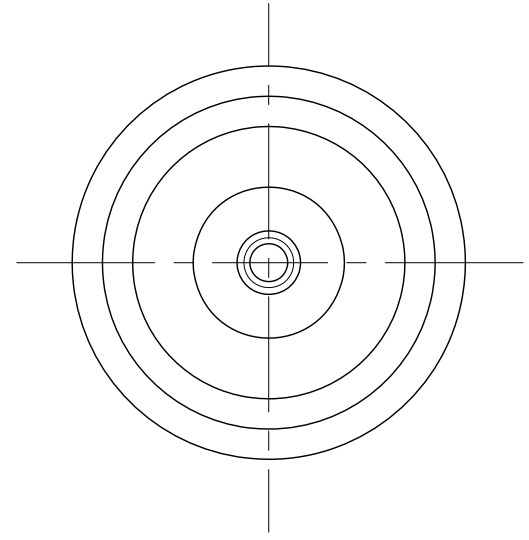
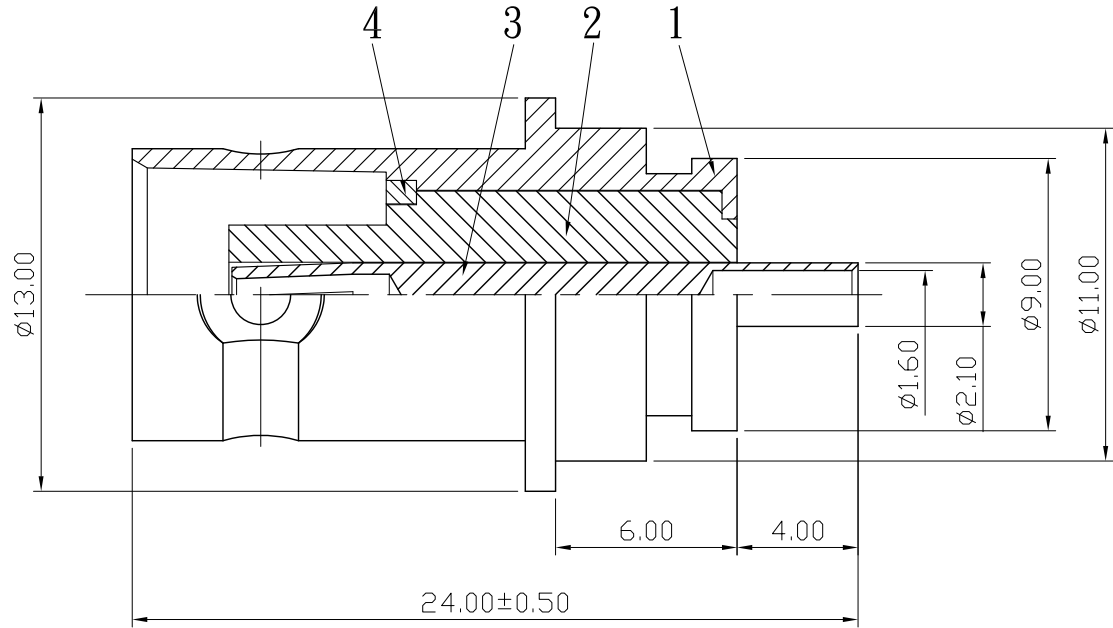



| | | | | | | |
|-----|------|-------------|-----|---|------|-------------|
| No. | DATE | DESCRIPTION | REV | REMARK : RoHS REQUIREMENT APPLIED (符合RoHS) | DATE | DRAWING NO. |
|-----|------|-------------|-----|---|------|-------------|



S 1 : 1

| | | | | | | | | |
|-----|-------------|------|-----------|--------|----------------------|---|--|--|
| 7 | | | | | | DIMENSIONS ARE IN MILLIMETERS UNLESS OTHERWISE SPECIFIED TOLERANCES (一般公差) 0.5~6 = ±0.2 >6~30 = ±0.4 >30~120 = ±0.6 >120~315 = ±1 >315~1000 = ±1.6 ANGLES(角度) = ±5° | CHECKED |  雅鈦企業有限公司 Aec Connectors Co., Ltd. |
| 6 | | | | | DRAWN <i>Wing</i> | | | |
| 5 | | | | | | | DATE 2010.05.05 | |
| 4 | washer | 1 | brass | nickel | | | FILE NO. DRAWING\RF\BC\BC-1031NDG-SM0025 | |
| 3 | contact pin | 1 | brass | gold | | | | |
| 2 | insulator | 1 | delrin | white | | | | |
| 1 | body | 1 | brass | nickel | | | | |
| NO. | Description | Unit | Materials | Finish | Drawing No. | SCALE 4 : 1 UNIT MM | | |