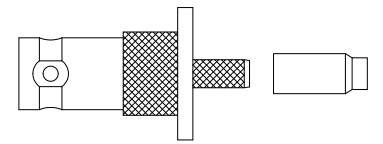
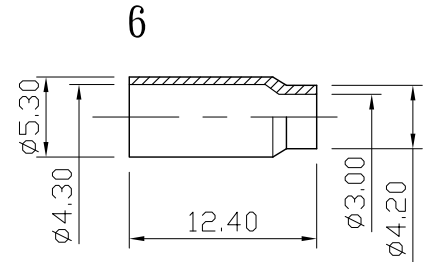
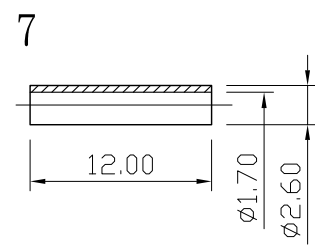
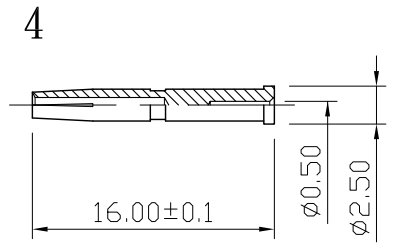
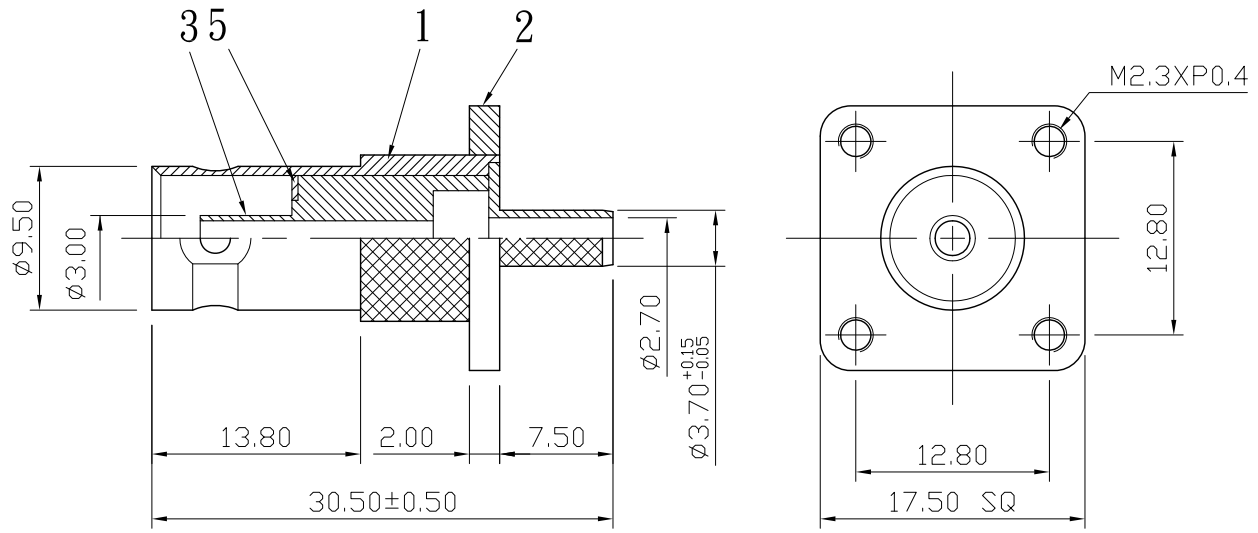



No.	DATE	DESCRIPTION	REV	REMARK : RoHS REQUIREMENT APPLIED (符合RoHS)	DATE	DRAWING NO.
-----	------	-------------	-----	---	------	-------------



S 1 : 1

7	plastic tube	1	pvc	white		DIMENSIONS ARE IN MILLIMETERS UNLESS OTHERWISE PECIFIED TOLERANCES (一般公差) 0.5~6 = ±0.2 >6~30 = ±0.4 >30~120 = ±0.6 >120~315 = ±1 >315~1000 = ±1.6 ANGLES(角度) = ±5°	CHECKED	 雅鈦企業有限公司 Aec Connectors Co., Ltd.			
6	tube	1	brass	nickel					DRAWN <i>Tina</i>	TITLE BNC FEMALE BULKHEAD CRIMP FOR RG-174/U, 188/U, 316/U	
5	washer	1	brass	nickel						DATE 2007. 12. 13	DRAWING NO. BC-1029NDG-SC1727
4	contact pin	1	brass	gold						FILE NO. DRAWING\RF\BC\BC-1029NDG-SC1727	
3	insulator	1	delrin	white							
2	body	1	brass	nickel							
1	body	1	brass	nickel							
NO.	Description	Unit	Materials	Finish	Drawing No.	SCALE 2 : 1	UNIT	MM			