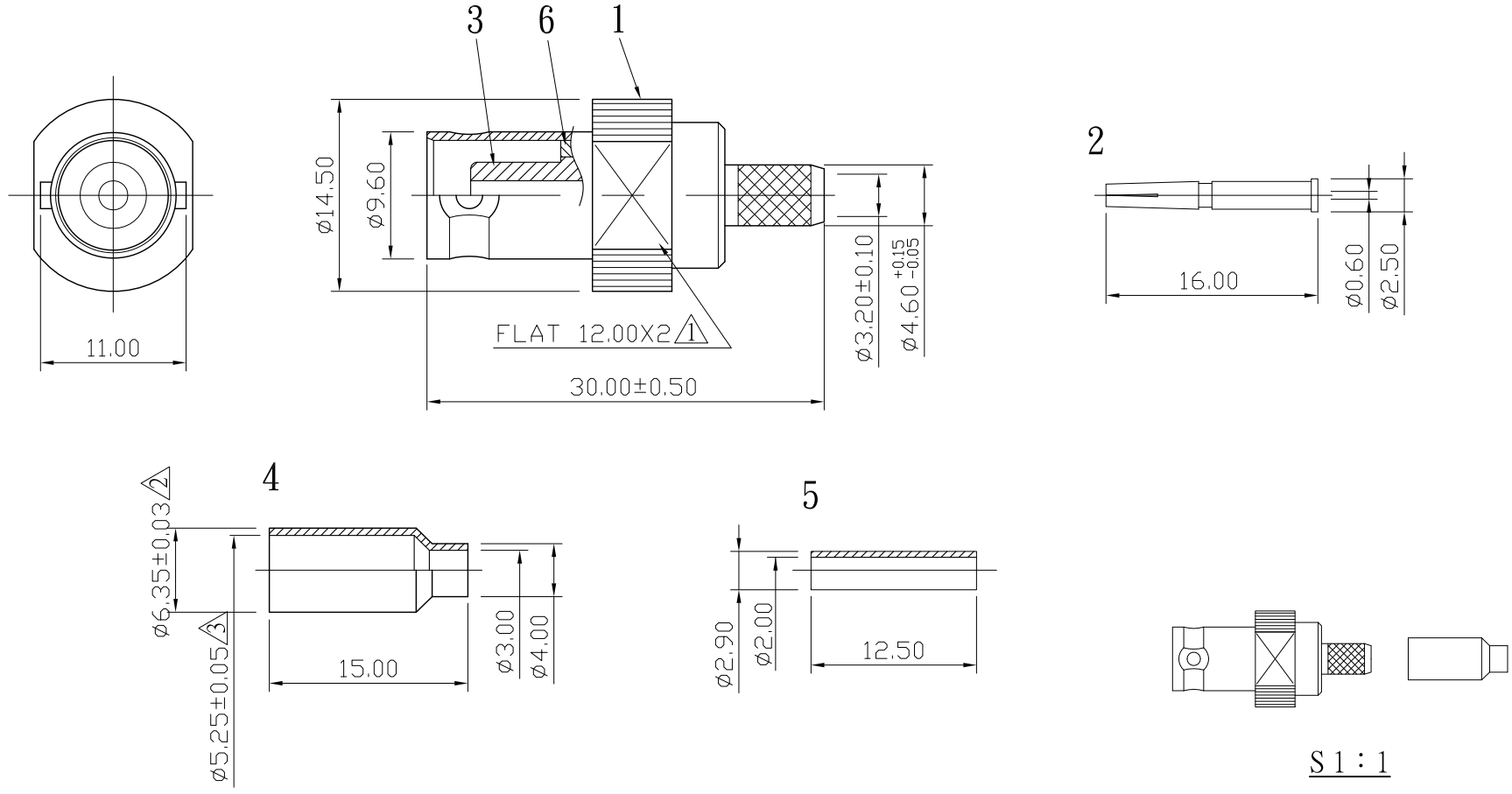



No.	DATE	DESCRIPTION	REV	REMARK : RoHS REQUIREMENT APPLIED (符合RoHS)	DATE	DRAWING NO.
△1	2009. 08. 12	Original dimention FLAT 12.7X2	A		2008. 10. 21	BC-1025NG-TEF(50)-174U
△2	2009. 08. 12	Original dimention □6.40±0.10				
△3	2009. 08. 12	Original dimention □5.30				



7						DIMENSIONS ARE IN MILLIMETERS  UNLESS OTHRWISE PECIFIED TOLERANCES (一般公差) 0.5~6 = ±0.2 >6~30 = ±0.4 >30~120 = ±0.6 >120~315 = ±1 >315~1000 = ±1.6 ANGLES(角度) = ±5°	CHECKED	 <b>雅鈦企業有限公司</b> Aec Connectors Co., Ltd.	
6	washer	1	brass	nickel			DRAWN <i>Lala</i>		TITLE BNC FEMALE CRIMP FOR RG-174/U,188/U,316/U
5	insulator	1	POM	white					DATE 2008. 06. 16
4	ring	1	brass	nickel				FILE NO. DRAWING\RF\BC\BC-1026NTG-SC1725	
3	insulator	1	teflon	white					
2	contact pin	1	brass	gold					
1	body	1	brass	nickel					
NO.	Description	Unit	Materials	Finish	Drawing No.	SCALE 2 : 1	UNIT	MM	