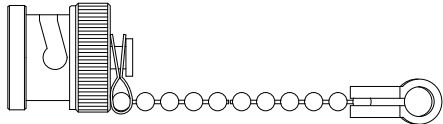
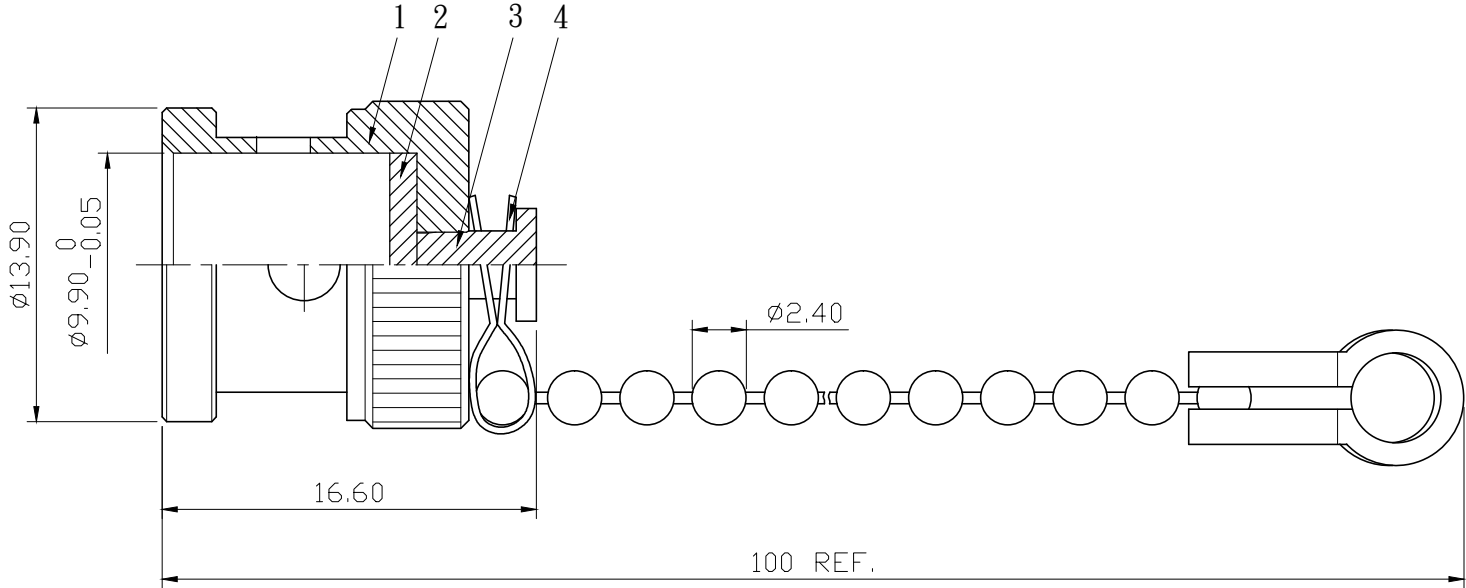



REMARK : RoHS REQUIREMENT APPLIED
(符合RoHS)



S1 : 1

7						DIMENSIONS ARE IN MILLIMETERS UNLESS OTHERWISE SPECIFIED TOLERANCES (一般公差) 0.5~6 = ±0.1 >6~30 = ±0.15 >30~120 = ±0.2 >120~315 = ±0.3 >315~1000 = ±0.4 ANGLES(角度) = ±3°	APPROVED	 雅鈦企業有限公司 Aec Connectors Co., Ltd.	
6					CHECKED		TITLE		
5							DRAWN	PROTECTIVE CAP FOR BNC FEMALE	
4	chain	1	steel	nickel	OT16SS001A		<i>Wing</i>	DRAWING NO.	
3	cover	1	brass	nickel	OT13BR003A		DATE	BC-1022N	
2	gasket	1	rubber	orange	OT12RU003A		2008. 07. 04	FILE NO. D:\wing\	
1	shell	1	brass	nickel	BC05BR003A				
NO.	Description	Unit	Materials	Finish	Drawing No.	SCALE	3 : 1	UNIT	MM