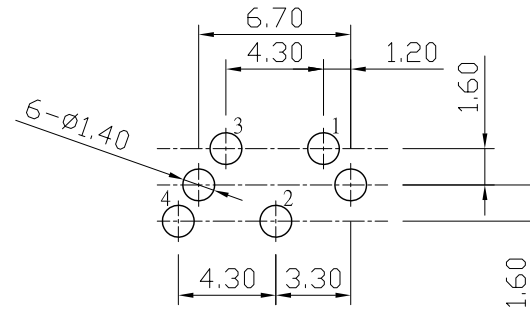
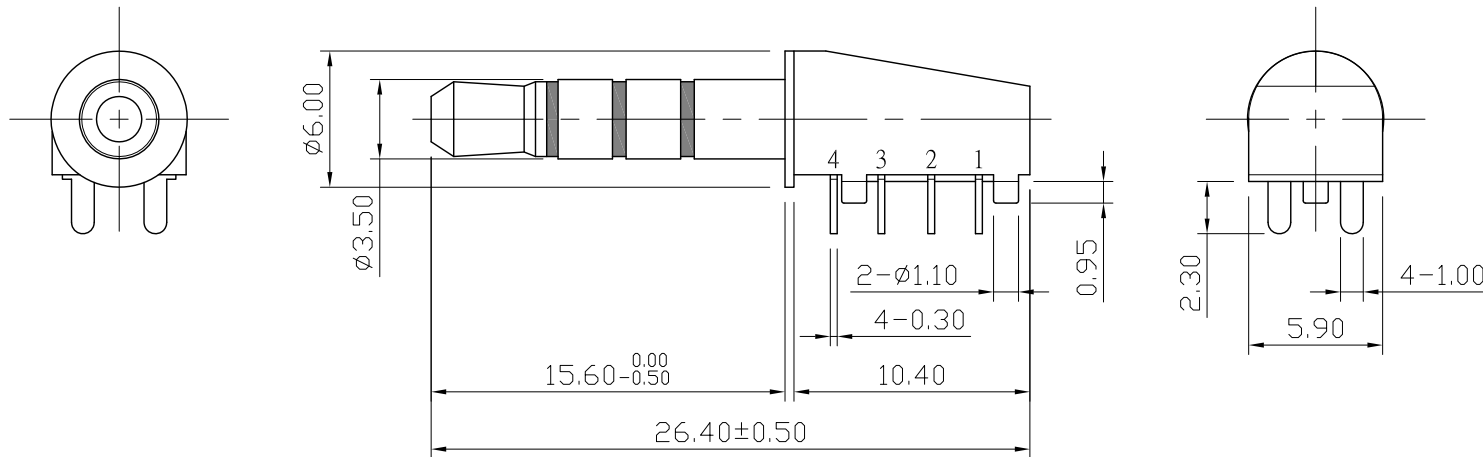
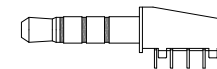


No.	DATE	DESCRIPTION	REV
△	2014. 07. 22	Drawing to renew 圖面更新	A

REMARK : RoHS REQUIREMENT APPLIED
(符合RoHS)



PCB MOUNTING HOLE
(印刷電路板架設孔)



S 1 : 1

-	terminal	4	brass	nickel	
-	shell	1	plastic	black	
-	insulator	1	plastic	black	
-	insulator	1	plastic	black	
-	insulator	1	plastic	black	
-	insulator	1	plastic	black	
-	body	1	brass	nickel	
-	body	1	brass	nickel	
-	body	1	brass	nickel	
-	body	1	brass	nickel	
-	body	1	brass	nickel	
NO.	Description	Unit	Materials	Finish	Drawing No.

DIMENSIONS ARE IN
MILLIMETERS
UNLESS OTHERWISE SPECIFIED
TOLERANCES
(一般公差)
0.5~6 = ±0.2
>6~30 = ±0.4
>30~120 = ±0.6
>120~315 = ±1
>315~1000 = ±1.6
ANGLES(角度) = ±5°

CHECKED

DRAWN
Jim

DATE
2012. 11. 07



雅鈦企業有限公司
Aec Connectors Co., Ltd.

TITLE
AUDIO PLUG

DRAWING NO.
AP3.5-259BKPLN-4Pole

FILE NO. DRAWING\AUDIO\AP\AP3.5-259BKPLN-4Pole

SCALE 3 : 1 UNIT MM