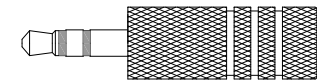
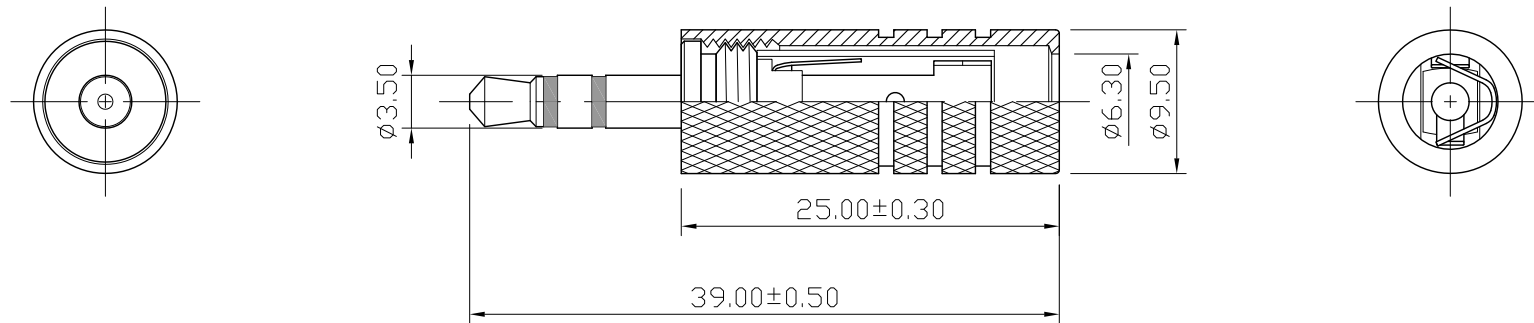


REMARK : RoHS REQUIREMENT APPLIED
(符合RoHS)



S 1 : 1

-	sleeve	1	PVC	transparent	
-	insulator	2	ABS	black	
-	solder tab	1	brass	nickel	
-	solder tab	1	brass	nickel	
-	clip	1	brass	nickel	
-	insulator	2	POM	white	
-	shell	1	brass	nickel	
-	contact pin	1	iron	nickel	
-	body	1	brass	nickel	
-	body	1	brass	nickel	
-	body	1	brass	nickel	
NO.	Description	Unit	Materials	Finish	Drawing No.

DIMENSIONS ARE IN MILLIMETERS
UNLESS OTHERWISE SPECIFIED
(一般公差)
0.5~6 = ±0.2
>6~30 = ±0.4
>30~120 = ±0.6
>120~315 = ±1
>315~1000 = ±1.6
ANGLES(角度) = ±5°

CHECKED

DRAWN
Jim
DATE
2015. 11. 09

 雅鈦企業有限公司
Aec Connectors Co., Ltd.

TITLE
AUDIO PLUG

DRAWING NO.
AP3.5-257NN-Stereo-6.3

FILE NO. DRAWING\AUDIO\AP\AP3.5-257NN-Stereo-6.3