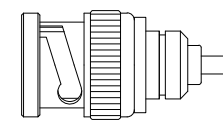
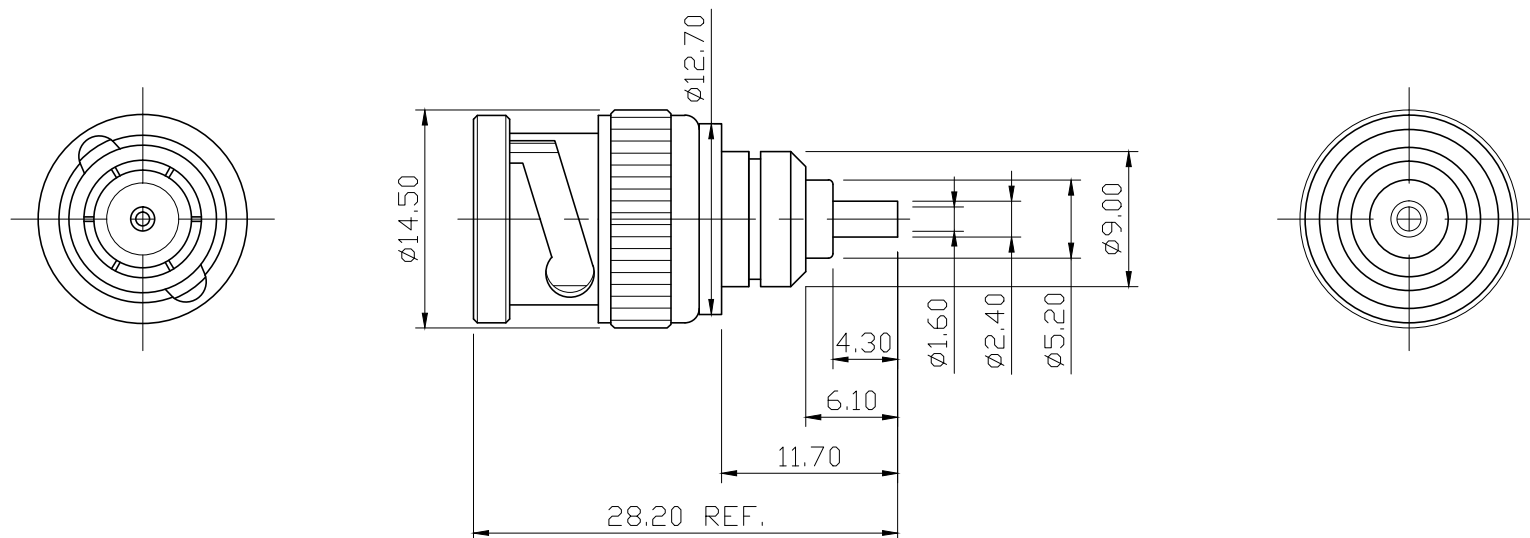


No.	DATE	DESCRIPTION	REV	REMARK : RoHS REQUIREMENT APPLIED (符合RoHS)	DATE	DRAWING NO.
△	2016. 09. 09	Design changes (設計變更)	A			




S 1 : 1

9	washer	1	steel	nickel	
8	spring	1	SK-5	nickel	
7	retainer ring	1	steel	nickel	
6	gasket	1	PVC	red	
5	shell	1	brass	nickel	
4	contact pin	1	brass	gold	
3	insulator II	1	POM	white	
2	insulator I	1	POM	white	
1	body	1	brass	nickel	
NO.	Description	Unit	Materials	Finish	Drawing No.

DIMENSIONS ARE IN MILLIMETERS		
UNLESS OTHERWISE PECIFIED TOLERANCES (一般公差)		
0.5~6	= ±0.2	
>6~30	= ±0.4	
>30~120	= ±0.6	
>120~315	= ±1	
>315~1000	= ±1.6	
ANGLES(角度) = ±5°		
SCALE	2 : 1	UNIT MM

CHECKED	
DRAWN	Chad
DATE	2008. 03. 04

 雅鈦企業有限公司 Aec Connectors Co., Ltd.	
TITLE	BNC MALE MOLDED
DRAWING NO.	BC-1017NDG-SM0015
FILE NO.	DRAWING\RF\BCBC-1017NDG-SM0015