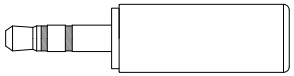
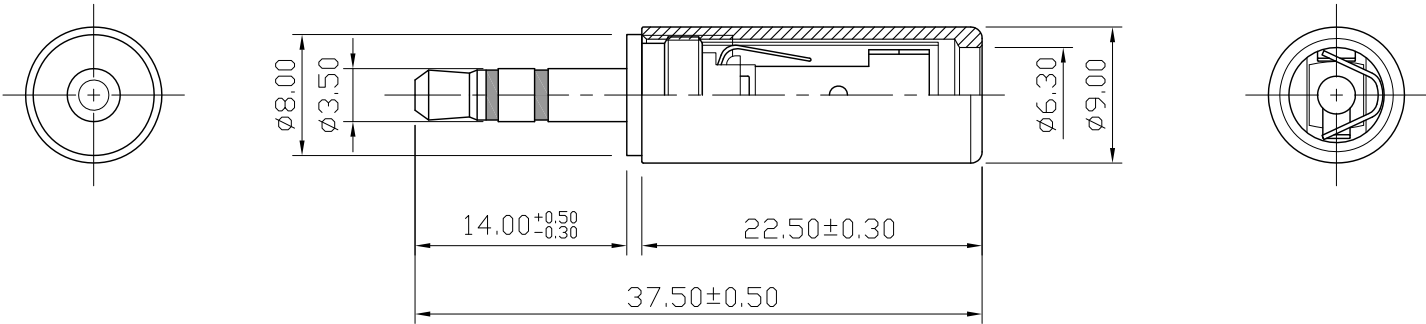


REMARK : RoHS REQUIREMENT APPLIED  
(符合RoHS)



S 1 : 1

-	sleeve	1	PVC	transparent	
-	shell	1	brass	matte black coated	
-	clip	1	brass	gold	
-	insulator	1	POM	white	
-	insulator	1	POM	white	
-	insulator	1	POM	black	
-	insulator	1	POM	black	
-	solder tab	1	brass	gold	
-	solder tab	1	brass	gold	
-	contact pin	1	brass	gold	
-	body	1	brass	gold	
-	body	1	brass	gold	
-	body	1	brass	gold	
-	body	1	brass	gold	
NO.	Description	Unit	Materials	Finish	Drawing No.

DIMENSIONS ARE IN MILLIMETERS			
UNLESS OTHERWISE SPECIFIED TOLERANCES (一般公差)			
0.5~6	= ±0.2		
>6~30	= ±0.4		
>30~120	= ±0.6		
>120~315	= ±1		
>315~1000	= ±1.6		
ANGLES(角度) = ±5°			
SCALE	2 : 1	UNIT	MM

CHECKED
DRAWN <i>Jim</i>
DATE 2013. 07. 23

 <b>雅鈦企業有限公司</b> Aec Connectors Co., Ltd.	
TITLE AUDIO PLUG	
DRAWING NO. AP3.5-207MBCG-Stereo-6.3	
FILE NO.	DRAWING\AUDIO\AP\AP3.5-207MBCG-Stereo-6.3