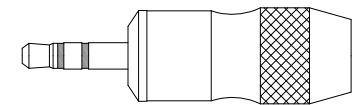
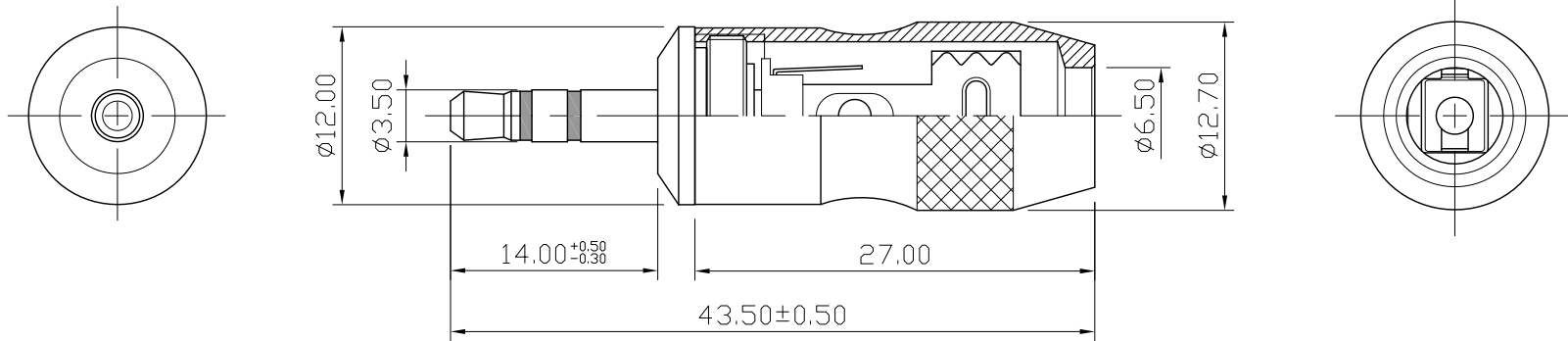


REMARK : RoHS REQUIREMENT APPLIED  
(符合RoHS)



S 1 : 1

-	insulator	2	POM	black	
-	solder tab	1	brass	gold	
-	solder tab	1	brass	gold	
-	clip	1	brass	gold	
-	insulator	2	POM	white	
-	shell	1	brass	chrome	
-	contact pin	1	iron	gold	
-	body	1	brass	gold	
-	body	1	brass	gold	
-	body	1	brass	gold	
NO.	Description	Unit	Materials	Finish	Drawing No.

DIMENSIONS ARE IN  
MILLIMETERS

UNLESS OTHERWISE SPECIFIED  
TOLERANCES  
(一般公差)  
0.5~6 = ±0.2  
>6~30 = ±0.4  
>30~120 = ±0.6  
>120~315 = ±1  
>315~1000 = ±1.6  
ANGLES(角度) = ±5°

CHECKED

DRAWN

*Jim*

DATE

2013. 06. 04



雅鈦企業有限公司  
Aec Connectors Co., Ltd.

TITLE

AUDIO PLUG

DRAWING NO.

AP3.5-201CG-Stereo-6.5

FILE NO. DRAWING\AUDIO\AP\AP3.5-201CG-Stereo-6.5

SCALE 2 : 1 UNIT MM