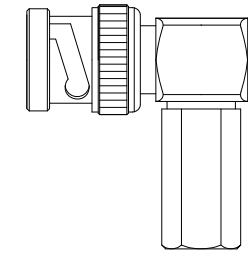
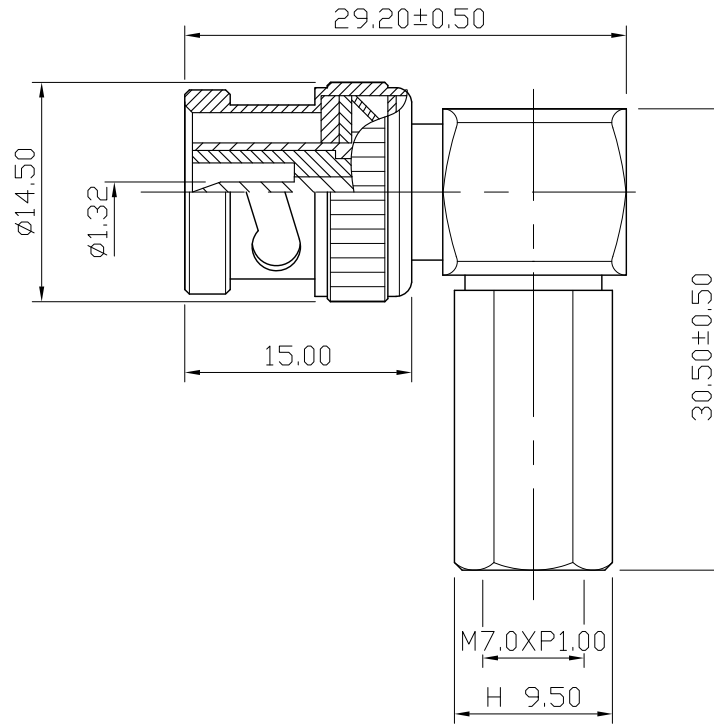


No.	DATE	DESCRIPTION	REV	REMARK : RoHS REQUIREMENT APPLIED (符合RoHS)	DATE	DRAWING NO.
-----	------	-------------	-----	---	------	-------------



S 1 : 1

-	contact pin	1	brass	gold	
-	body	1	brass	nickel	
-	gasket	1	pvc	red	
-	washer	1	steel	nickel	
-	spring	1	sk-5	nickel	
-	washer	1	steel	nickel	
-	insulator	1	delrin	white	
-	insulator	1	delrin	white	
-	contact pin	1	brass	gold	
-	body	1	brass	nickel	
-	shell	1	brass	nickel	
NO.	Description	Unit	Materials	Finish	Drawing No.

DIMENSIONS ARE IN MILLIMETERS
UNLESS OTHERWISE SPECIFIED
TOLERANCES
(一般公差)
0.5~6 = ±0.2
>6~30 = ±0.4
>30~120 = ±0.6
>120~315 = ±1
>315~1000 = ±1.6
ANGLES(角度) = ±5°

CHECKED

DRAWN
Lala
DATE
2009. 07. 07

 雅鈦企業有限公司
Aec Connectors Co., Ltd.

TITLE
BNC MALE RIGHT ANGLE TWIST ON FOR RG6/U

DRAWING NO.
BC-1011NDG-RG2615

FILE NO. DRAWING\FBC\BC-1011NDG-RG2615