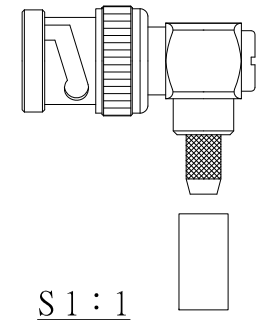
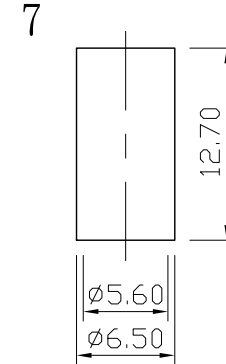
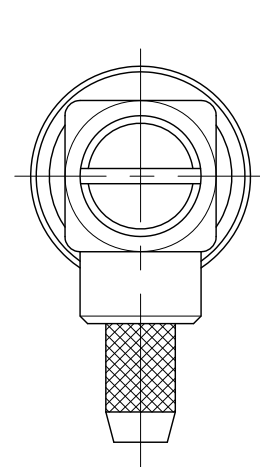
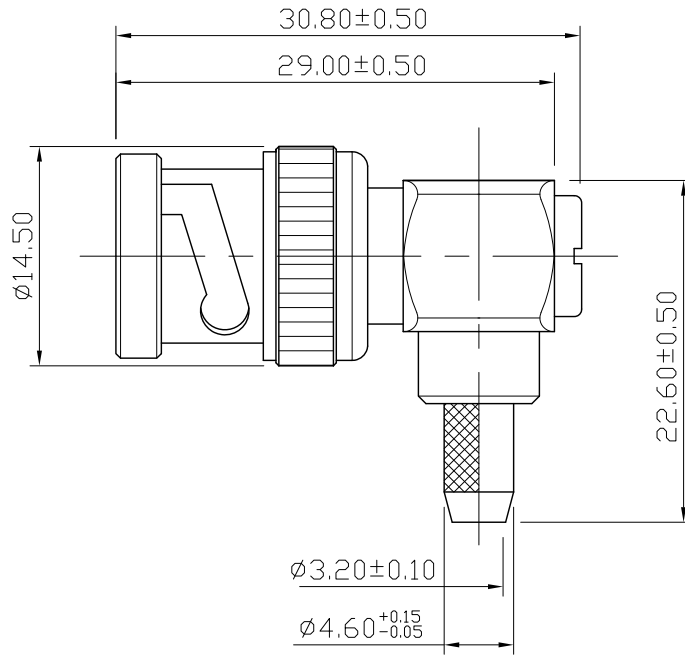


No.	DATE	DESCRIPTION	REV	REMARK : RoHS REQUIREMENT APPLIED (符合RoHS)	DATE	DRAWING NO.
△	2015. 03. 11	Drawing updated (圖面更新)	A		2009. 02. 03	BC-1005NG-DEL(50)-58U



-	body	1	brass	nickel	
-	headlock	1	brass	nickel	
-	washer	1	steel	nickel	
-	contact pin	1	brass	gold	
-	ring	1	brass	nickel	
-	insulator	1	POM	white	
-	gasket	1	rubber	red	
-	spring	1	SK-5	nickel	
-	washer	1	steel	nickel	
-	shell	1	brass	nickel	
-	body	1	brass	nickel	
NO.	Description	Unit	Materials	Finish	Drawing No.

DIMENSIONS ARE IN MILLIMETERS
UNLESS OTHERWISE SPECIFIED
TOLERANCES
(一般公差)
0.5~6 = ± 0.2
>6~30 = ± 0.4
>30~120 = ± 0.6
>120~315 = ± 1
>315~1000 = ± 1.6
ANGLES(角度) = $\pm 5^\circ$

SCALE 2 : 1 UNIT MM

CHECKED

DRAWN
Jim

DATE
2007. 10. 24

 雅鈦企業有限公司
Aec Connectors Co., Ltd.

TITLE BNC MALE RIGHT ANGLE
CRIMP TYPE FOR RG-58/U

DRAWING NO. BC-1005NDG-RC1115

FILE NO. DRAWING\FBC\BC-1005NDG-RC1115