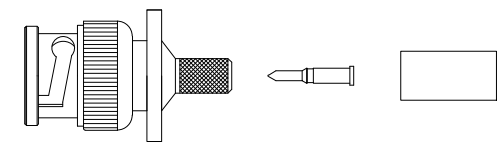
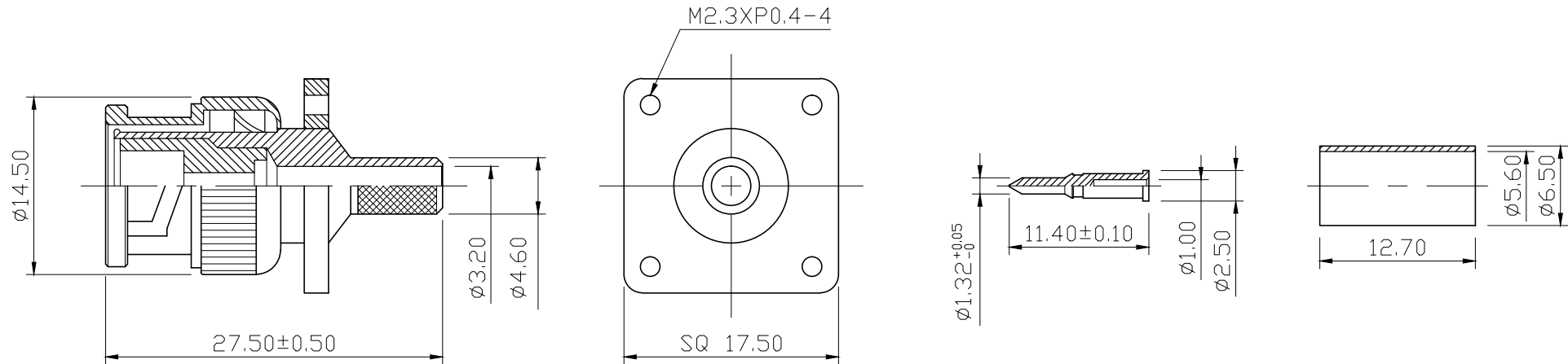


REMARK : RoHS REQUIREMENT APPLIED
(符合RoHS)



S 1 : 1

-	ring	1	brass	nickel	
-	contact pin	1	brass	gold	
-	panel	1	brass	nickel	
-	insulator	1	teflon	white	
-	gasket	1	PVC	red	
-	washer	1	steel	nickel	
-	spring	1	SK-5	nickel	
-	washer	1	steel	nickel	
-	body	1	brass	nickel	
-	shell	1	brass	nickel	
NO.	Description	Unit	Materials	Finish	Drawing No.

DIMENSIONS ARE IN
MILLIMETERS

UNLESS OTHERWISE SPECIFIED
TOLERANCES
(一般公差)
0.5~6 = ±0.2
>6~30 = ±0.4
>30~120 = ±0.6
>120~315 = ±1
>315~1000 = ±1.6
ANGLES(角度) = ±5°

CHECKED

DRAWN

Jim

DATE

2011. 10. 19



雅鈦企業有限公司
Aec Connectors Co., Ltd.

TITLE

BNC MALE CRIMP TYPE PANEL FOR RG58/U

DRAWING NO.

BC-1004NTG-SE1115

FILE NO.

DRAWINGR\FBC\BC-1004NTG-SE1115

SCALE

2 : 1

UNIT

MM