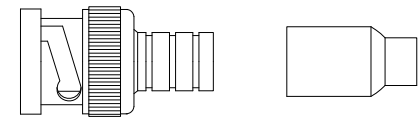
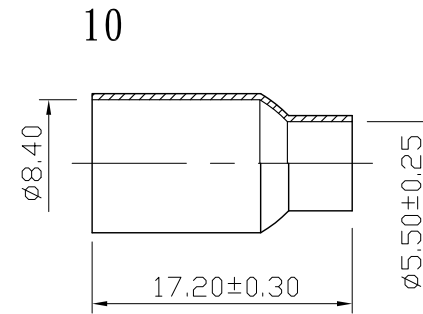
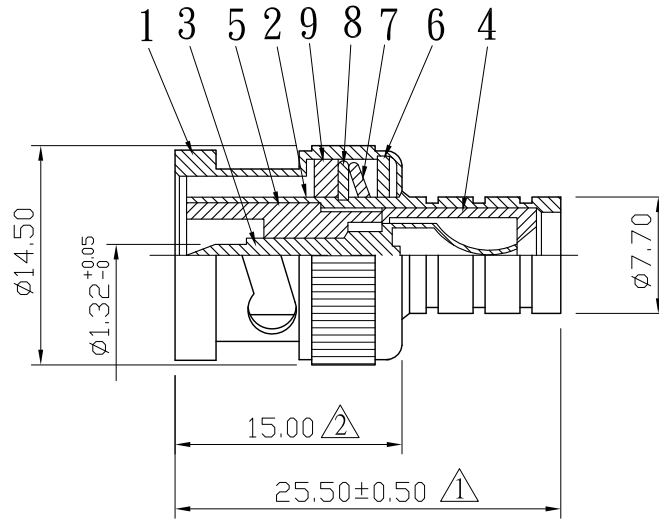


No.	DATE	DESCRIPTION	REV	REMARK : RoHS REQUIREMENT APPLIED (符合RoHS)	DATE	DRAWING NO.
△1	2009. 11. 26	Original dimation 26.00±0.50	A		2009. 11. 25	BC-1002NG-DEL(50)-58U
△2	2009. 11. 26	Original dimation 15.20				



S 1 : 1

10	ring	1	brass	nickel	
9	gasket	1	pvc	red	
8	washer	1	steel	nickel	
7	spring	1	sk-5	nickel	
6	washer	1	steel	nickel	
5	insulator	1	delrin	white	
4	insulator	1	delrin	white	
3	contact pin	1	brass	gold	
2	body	1	brass	nickel	
1	shell	1	brass	nickel	
NO.	Description	Unit	Materials	Finish	Drawing No.

DIMENSIONS ARE IN  
MILLIMETERS  
UNLESS OTHERWISE PECIFIED  
TOLERANCES  
(一般公差)  
0.5~6 = ±0.2  
>6~30 = ±0.4  
>30~120 = ±0.6  
>120~315 = ±1  
>315~1000 = ±1.6  
ANGLES(角度) = ±5°

CHECKED

DRAWN

Lala

DATE

2007. 10. 25



雅鈦企業有限公司  
Aec Connectors Co., Ltd.

TITLE

BNC MALE QUICK CRIMP FOR RG58/U

DRAWING NO.

BC-1002NDG-SC1115

FILE NO. DRAWING\RF\BC\BC-1002NDG-SC1115

SCALE 2 : 1 UNIT MM