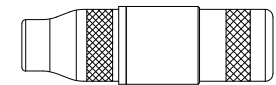
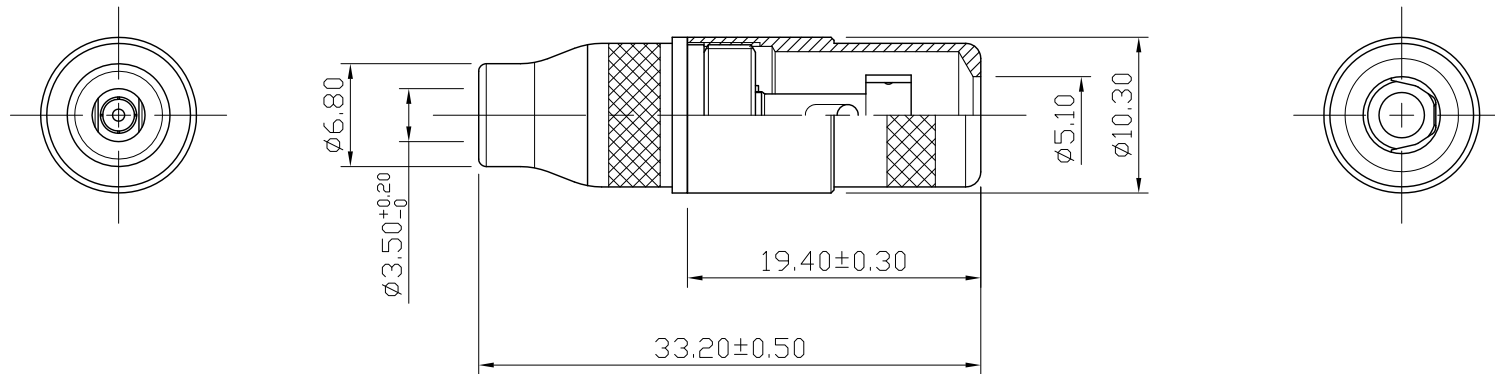



REMARK : RoHS REQUIREMENT APPLIED
(符合RoHS)



S 1 : 1

-						DIMENSIONS ARE IN MILLIMETERS UNLESS OTHERWISE PECIFIED TOLERANCES (一般公差) 0.5~6 = ±0.2 >6~30 = ±0.4 >30~120 = ±0.6 >120~315 = ±1 >315~1000 = ±1.6 ANGLES(角度) = ±5°	CHECKED	 雅鈦企業有限公司 Aec Connectors Co., Ltd.			
-	shell	1	brass	nickel			DRAWN		TITLE		
-	solder tab	2	phosphor bronze	nature			<i>Jim</i>		AUDIO JACK		
-	insulator	1	bakelite	brown			DATE	DRAWING NO.			
-	contact pin	1	brass	nickel			2011. 05. 11	AJ3.5-257NN-Mono			
-	body	1	brass	nickel				FILE NO.			
NO.	Description	Unit	Materials	Finish	Drawing No.		SCALE	2 : 1	UNIT	MM	