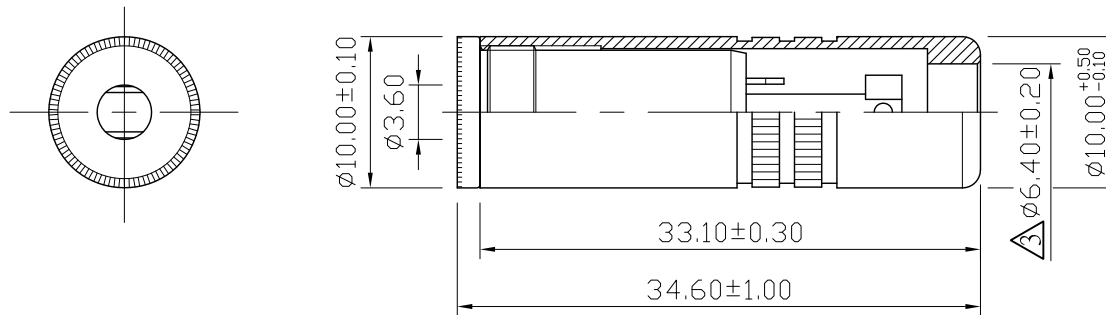



| No. | DATE | DESCRIPTION | REV |
|-----|--------------|---|-----|
| ① | 2010. 09. 07 | Drawing to renew 圖面更新 | A |
| ② | 2013. 05. 31 | Drawing to renew 圖面更新 | B |
| ③ | 2014. 09. 10 | Original dimention $\phi 6.40 \pm 0.10$ | C |

REMARK : RoHS REQUIREMENT APPLIED
(符合RoHS)



S 1 : 1

| | | | | | | | | | |
|-----|-------------|------|-----------------|-------------|-------------|---|---------------------|--|----------------------|
| - | sleeve | 1 | PVC | transparent | | DIMENSIONS ARE IN MILLIMETERS UNLESS OTHERWISE PECIFIED TOLERANCES (一般公差) 0.5~6 = ± 0.2 >6~30 = ± 0.4 >30~120 = ± 0.6 >120~315 = ± 1 >315~1000 = ± 1.6 ANGLES(角度) = $\pm 5^\circ$ | CHECKED |  雅鈦企業有限公司 Aec Connectors Co., Ltd. | |
| - | shell | 1 | brass | nickel | | | DRAWN <i>Jim</i> | | TITLE AUDIO JACK |
| - | clip | 1 | brass | nickel | | | | | DATE 2010. 08. 02 |
| - | solder tab | 1 | phosphor bronze | nature | | | | FILE NO. DRAWING\AUDIO\AJ3.5-254NN-Stereo-6.4 | |
| - | solder tab | 1 | brass | nickel | | | | | |
| - | insulator | 1 | ABS | white | | | | | |
| - | body | 1 | brass | nickel | | | | | |
| NO. | Description | Unit | Materials | Finish | Drawing No. | | SCALE | 2 : 1 | UNIT |