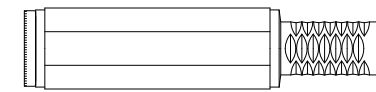
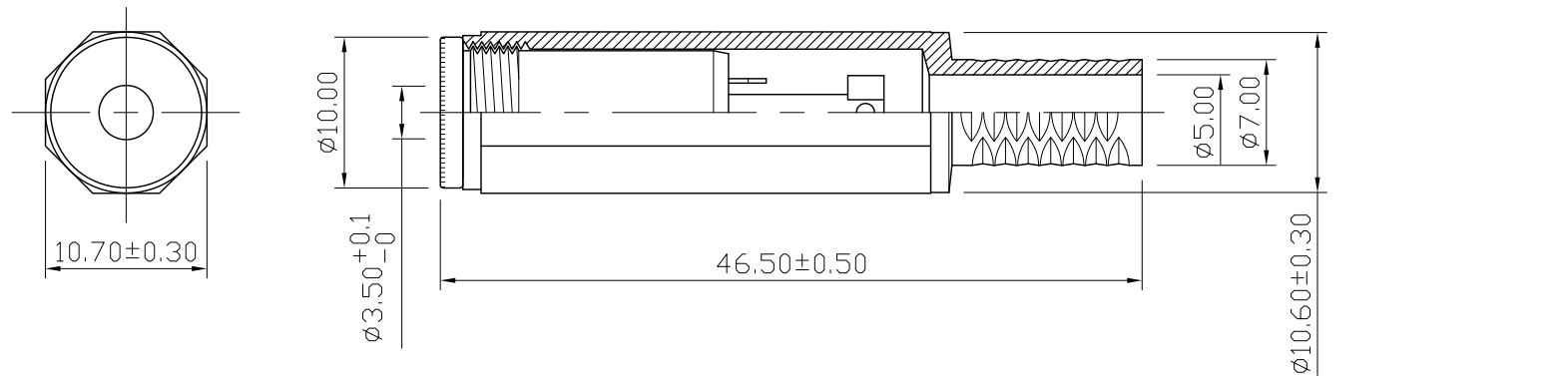



No.	DATE	DESCRIPTION	REV
△1	2011. 03. 28	Drawing to updated 圖面更新	A
△2	2014. 10. 24	Drawing to updated 圖面更新	B

REMARK : RoHS REQUIREMENT APPLIED
(符合RoHS)



S 1 : 1

-					DIMENSIONS ARE IN MILLIMETERS UNLESS OTHERWISE PECIFIED TOLERANCES (一般公差) 0.5~6 = ±0.2 >6~30 = ±0.4 >30~120 = ±0.6 >120~315 = ±1 >315~1000 = ±1.6 ANGLES(角度) = ±5°	CHECKED	 雅鈦企業有限公司 Aec Connectors Co., Ltd.
-	shell	1	plastic	black		DRAWN	
-	clip	1	brass	nickel		<i>Sun</i>	AUDIO JACK
-	solder tab	1	phosphor bronze	nature		DATE	DRAWING NO.
-	solder tab	1	brass	nickel		2009. 05. 11	AJ3.5-251BKPLN-Stereo-5.0
-	insulator	1	ABS	white		SCALE	FILE NO.
-	body	1	brass	nickel		2 : 1	DRAWING\AUDIOVA\AJ3.5-251BKPLN-Stereo-5.0
NO.	Description	Unit	Materials	Finish	Drawing No.	UNIT	MM