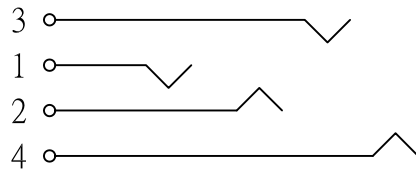
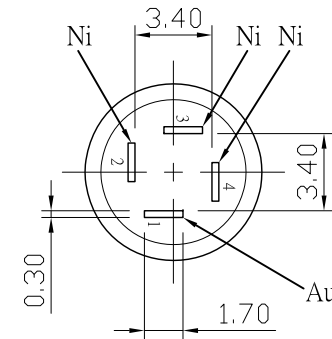
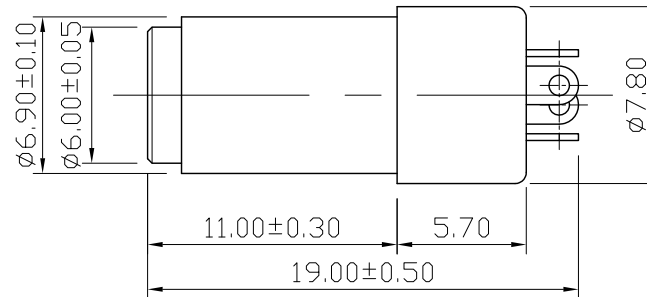
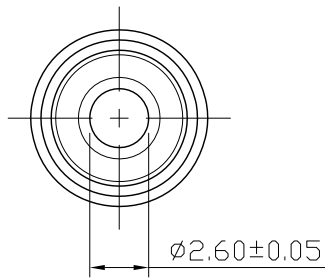



REMARK : RoHS REQUIREMENT APPLIED  
(符合RoHS)



S 1 : 1

-	insulator	1	PBT	black		DIMENSIONS ARE IN MILLIMETERS  UNLESS OTHERWISE SPECIFIED TOLERANCES (一般公差) 0.5~6 = $\pm 0.2$ >6~30 = $\pm 0.4$ >30~120 = $\pm 0.6$ >120~315 = $\pm 1$ >315~1000 = $\pm 1.6$ ANGLES(角度) = $\pm 5^\circ$	CHECKED	 雅鈦企業有限公司 Aec Connectors Co., Ltd.	
-	insulator	1	PBT	black					DRAWN <i>Jim</i>
-	solder tab	1	phosphor bronze	nickel			DATE 2014. 03. 26		
-	solder tab	1	phosphor bronze	nickel					FILE NO. DRAWING\AUDIO\AJAJ2.5-260NG-PBT-4Pole
-	solder tab	1	phosphor bronze	gold					
-	body	1	brass	gold					
NO.	Description	Unit	Materials	Finish	Drawing No.		SCALE		3 : 1