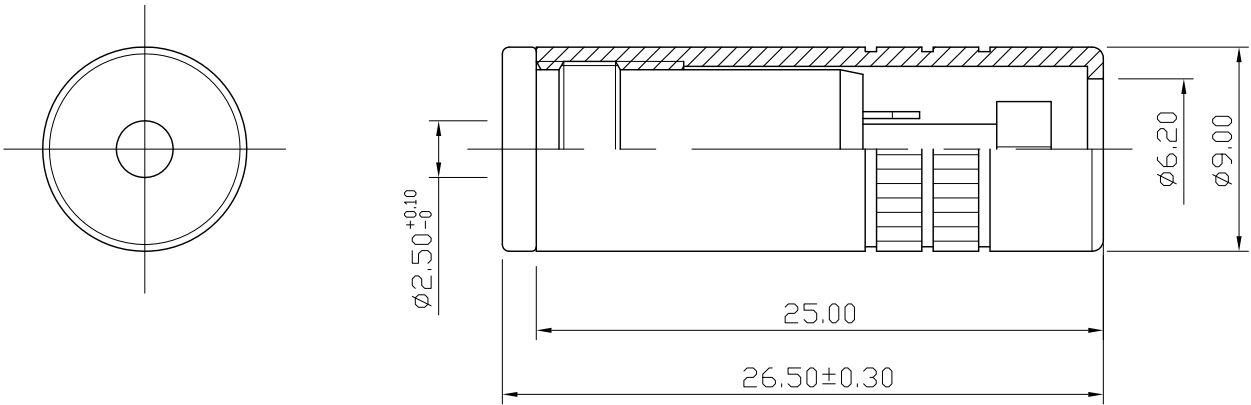



REMARK : RoHS REQUIREMENT APPLIED
(符合RoHS)



S 1 : 1

-					DIMENSIONS ARE IN MILLIMETERS UNLESS OTHERWISE PECIFIED TOLERANCES (一般公差) 0.5~6 = ±0.2 >6~30 = ±0.4 >30~120 = ±0.6 >120~315 = ±1 >315~1000 = ±1.6 ANGLES(角度) = ±5°	CHECKED	 雅鈦企業有限公司 Aec Connectors Co., Ltd.		
-	shell	1	brass	nickel		DRAWN <i>Ben</i>		TITLE AUDIO JACK	
-	clip	1	brass	nickel				DATE 2011. 02. 01	DRAWING NO. AJ2.5-252NN-Stereo-6.2
-	solder tab	1	phosphor bronze	nature			FILE NO.	DRAWING\AUDIO\AJ2.5-252NN-Stereo-6.2	
-	solder tab	1	brass	nickel					
-	insulator	1	ABS	white					
-	body	1	brass	nickel					
NO.	Description	Unit	Materials	Finish		Drawing No.	SCALE	3 : 1	UNIT