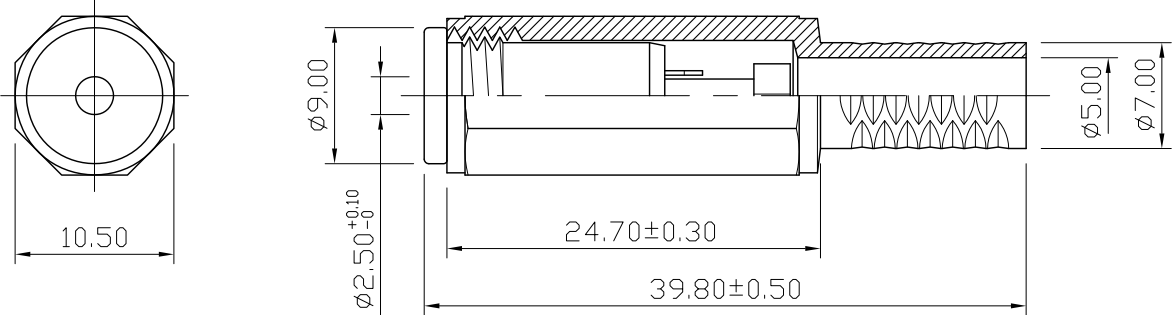



REMARK : RoHS REQUIREMENT APPLIED
(符合RoHS)



S 1 : 1

-					DIMENSIONS ARE IN MILLIMETERS UNLESS OTHERWISE SPECIFIED (一般公差) 0.5~6 = ±0.2 >6~30 = ±0.4 >30~120 = ±0.6 >120~315 = ±1 >315~1000 = ±1.6 ANGLES(角度) = ±5°	CHECKED	 雅鈦企業有限公司 Aec Connectors Co., Ltd.		
-	shell	1	plastic	black		DRAWN <i>Lala</i>		TITLE AUDIO JACK	
-	clip	1	brass	nickel				DATE 2009. 05. 11	DRAWING NO. AJ2.5-251BKPLN-Stereo-5.0
-	solder tab	1	brass	nature			FILE NO. DRAWING\AUDIO\AJAJ2.5-251BKPLN-Stereo-5.0		
-	solder tab	1	brass	nickel					
-	insulator	1	ABS	white					
-	body	1	brass	nickel					
NO.	Description	Unit	Materials	Finish		Drawing No.	SCALE	2 : 1	UNIT