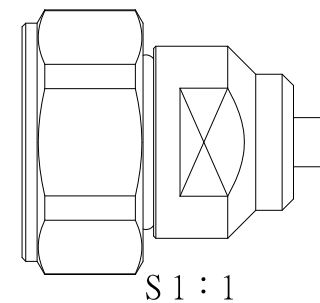
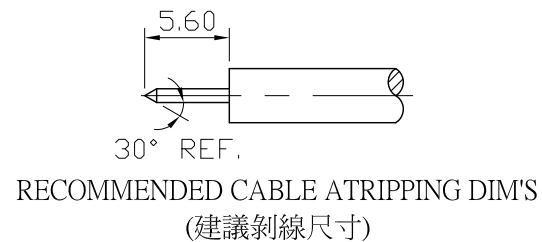
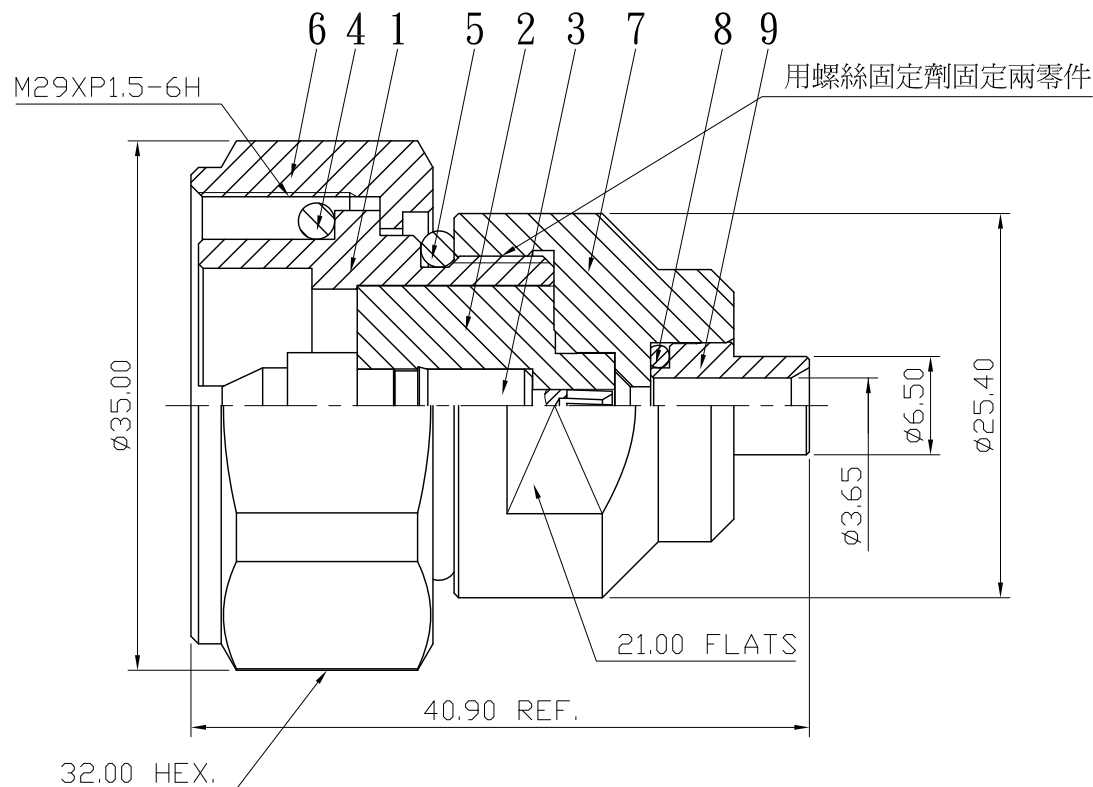


No.	DATE	DESCRIPTION	REV	REMARK : RoHS REQUIREMENT APPLIED (符合RoHS)	DATE	DRAWING NO.
-----	------	-------------	-----	-----------------------------------------------	------	-------------



9	barrel	1	brass	gold	OT04BR017A
8	gasket	1	rubber	black(REF.)	OT12RU009A
7	body	1	brass	nickel	OT01BR023A
6	shell	1	brass	nickel	71605BR001A
5	gasket	1	silicon	blue(REF.)	OT12SL007A
4	gasket	1	EPDM	black(REF.)	OT12RU008A
3	contact pin	1	brass	gold	71603BR001A
2	insulator	1	PTFE	white	71602TF001A
1	body	1	brass	nickel	71601BR001A
NO.	Description	Unit	Materials	Finish	Drawing No.

DIMENSIONS ARE IN MILLIMETERS
UNLESS OTHERWISE SPECIFIED
TOLERANCES
(一般公差)
0.5~6 = ±0.2
>6~30 = ±0.4
>30~120 = ±0.6
>120~315 = ±1
>315~1000 = ±1.6
ANGLES(角度) = ±5°

SCALE 2 : 1 UNIT MM

CHECKED
DRAWN
Ada
DATE
2012. 06. 05



雅鈦企業有限公司
Aec Connectors Co., Ltd.

TITLE
7/16 PLUG SOLDER FOR .141 CABLE

DRAWING NO.
716-1001NTG-SF1415A

FILE NO. DRAWING\RF716\716-1001NTG-SF1415A