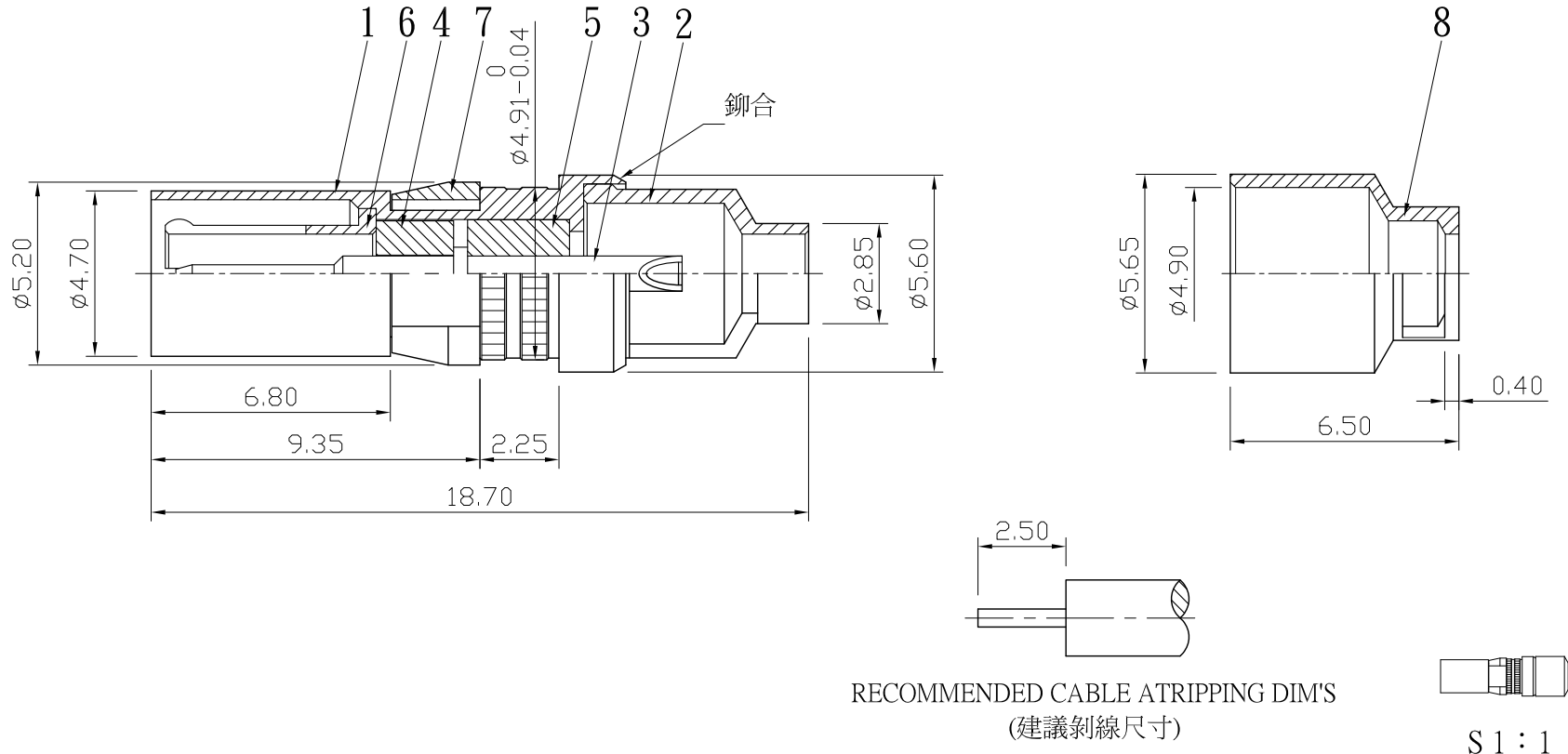


No.	DATE	DESCRIPTION	REV	REMARK : RoHS REQUIREMENT APPLIED (符合RoHS)	DATE	DRAWING NO.
-----	------	-------------	-----	---	------	-------------



8	ferrule	1	brass	gold	OT21BR001A
7	ring	1	beryllium copper	nickel	OT24BE001A
6	body	1	beryllium copper	gold	1.001BE002A
5	insulator	1	PTFE	white	1.002TF002A
4	insulator	1	POM	nature	1.002DL001A
3	contact pin	1	beryllium copper	gold	1.003BE001A
2	body	1	brass	gold	OT01BR022A
1	body	1	brass	gold	1.001BR001A
NO.	Description	Unit	Materials	Finish	Drawing No.

DIMENSIONS ARE IN MILLIMETERS		
UNLESS OTHERWISE PECIFIED TOLERANCES (一般公差)		
0.5~6	= ±0.2	
>6~30	= ±0.4	
>30~120	= ±0.6	
>120~315	= ±1	
>315~1000	= ±1.6	
ANGLES(角度) = ±5°		
SCALE	5 : 1	UNIT
		MM

CHECKED
DRAWN <i>Tina</i>
DATE 2012. 05. 04

 雅鈦企業有限公司 Aec Connectors Co., Ltd.	TITLE 1.0/2.3 PLUG SOLDER FOR RG405U
	DRAWING NO. 1.0-1016GTG-SF1515A
	FILE NO. DRAWINGARF1.0\1.0-1016GTG-SF1515A