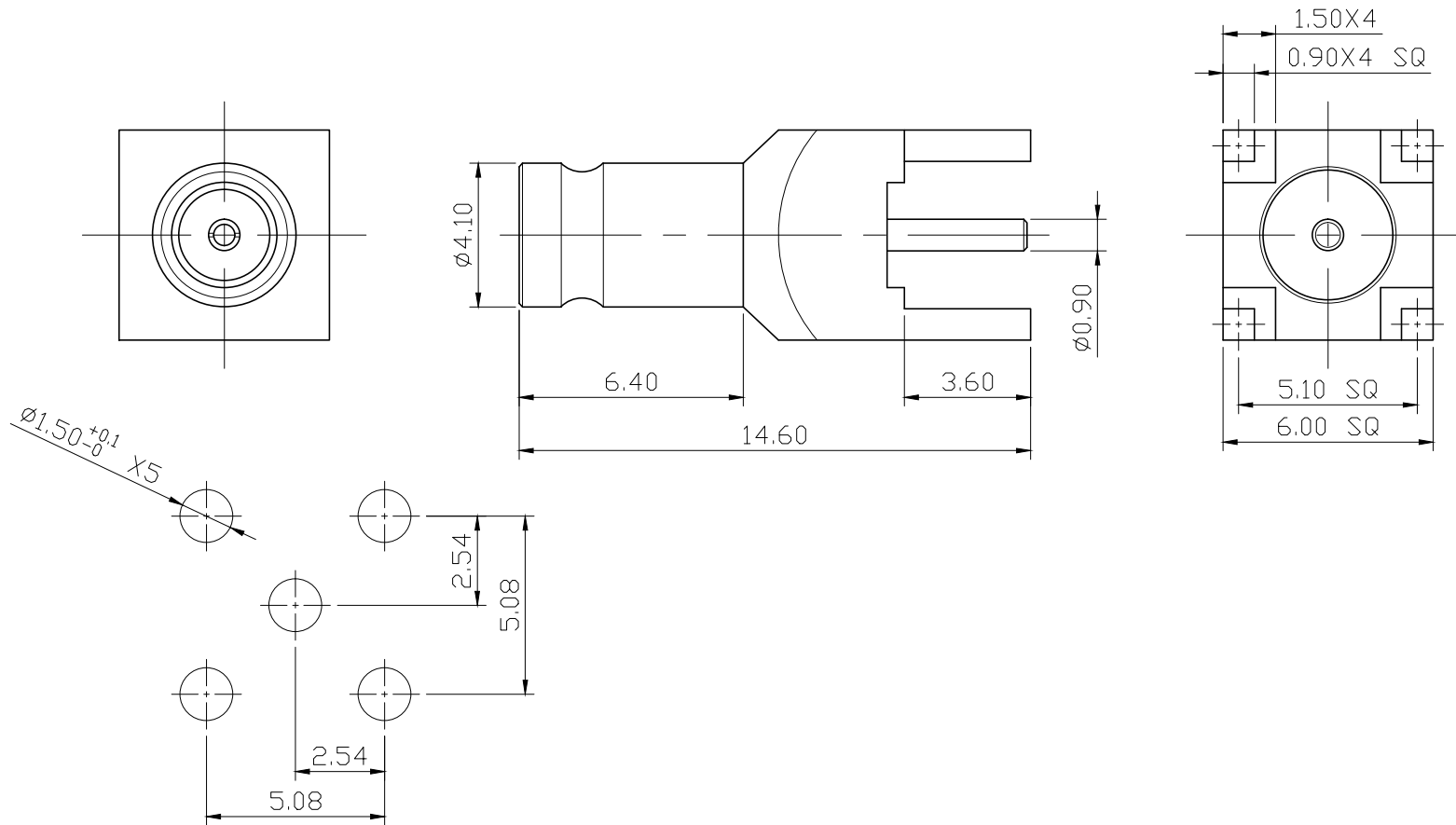
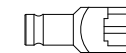



REMARK : RoHS REQUIREMENT APPLIED
(符合RoHS)



PCB MOUNTING HOLE
(印刷电路板架設孔)



S1:1

-						DIMENSIONS ARE IN MILLIMETERS UNLESS OTHERWISE PECIFIED TOLERANCES (一般公差) 0.5~6 = ± 0.2 >6~30 = ± 0.4 >30~120 = ± 0.6 >120~315 = ± 1 >315~1000 = ± 1.6 ANGLES(角度) = $\pm 5^\circ$	CHECKED	 雅鈦企業有限公司 Aec Connectors Co., Ltd.
-	insulator	1	PTFE	white			DRAWN	
-	contact pin	1	beryllium copper	gold			<i>Tina</i>	1.0/2.3 PCB JACK
-	body	1	brass	gold			DATE	DRAWING NO.
NO.	Description	Unit	Materials	Finish	Drawing No.		2012. 09. 04	1.0-1011GTG-SA0025
								FILE NO. DRAWING\RF1.0\1.0-1011GTG-SA0025