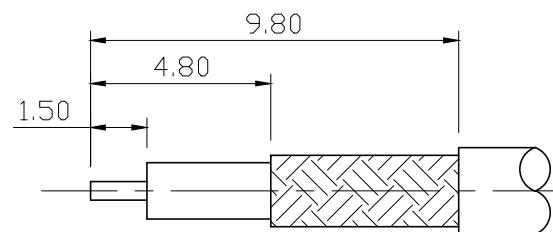
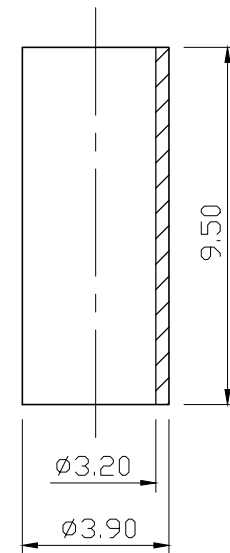
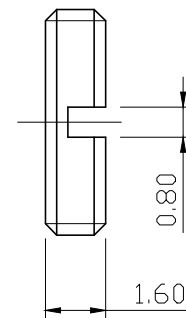
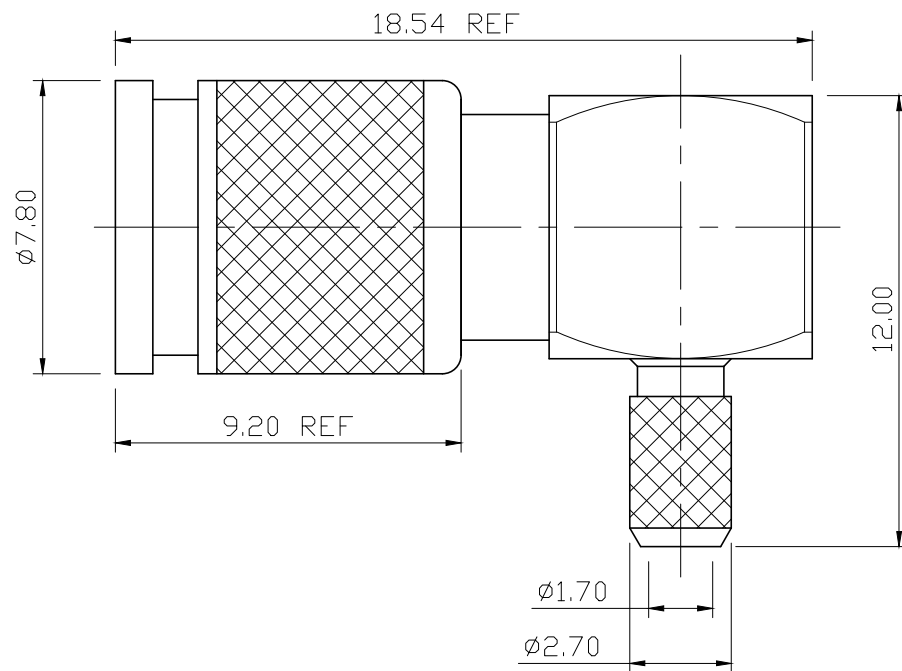
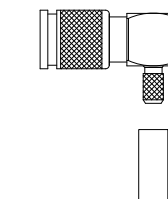


No.	DATE	DESCRIPTION	REV	REMARK : RoHS REQUIREMENT APPLIED (符合RoHS)	DATE	DRAWING NO.
-----	------	-------------	-----	---	------	-------------



RECOMMENDED CABLE STRIPPING DIM'S  
(建議剝線尺寸)



S1:1

-	cover	1	brass	nickel	
-	ferrule	1	brass	nickel	
-	shell	1	brass	nickel	
-	spring	1	beryllium copper	nickel	
-	contact body	1	beryllium copper	gold	
-	contact pin	1	brass	gold	
-	insulator	1	teflon	white	
-	body	1	brass	nickel	
-	body	1	brass	nickel	
NO.	Description	Unit	Materials	Finish	Drawing No.

DIMENSIONS ARE IN MILLIMETERS			
UNLESS OTHERWISE PECIFIED TOLERANCES (一般公差)			
0.5~6	= ±0.2		
>6~30	= ±0.4		
>30~120	= ±0.6		
>120~315	= ±1		
>315~1000	= ±1.6		
ANGLES(角度) = ±5°			
SCALE	5 : 1	UNIT	MM

CHECKED
DRAWN <i>Lala</i>
DATE 2010. 01. 25

 <b>雅鈦企業有限公司</b> Aec Connectors Co., Ltd.	TITLE 1.0/2.3 R/A PLUG CRIMP FOR RG-179/U
	DRAWING NO. 1.0-1001NTG-RC1917
	FILE NO. DRAWINGRFA1.0\1.0-1001NTG-RC1917