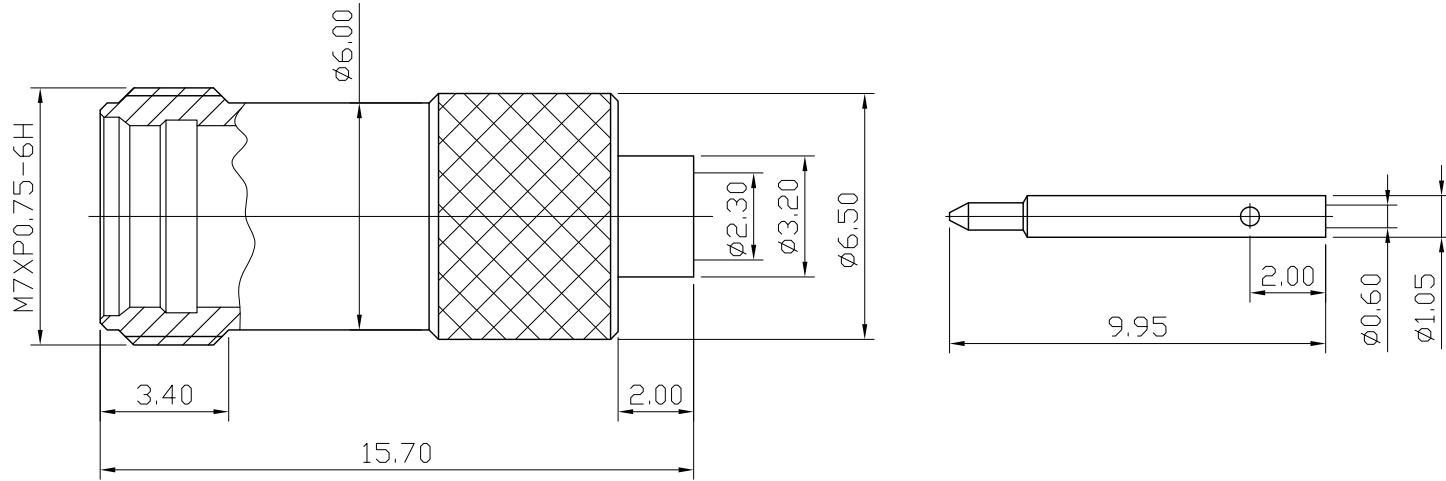
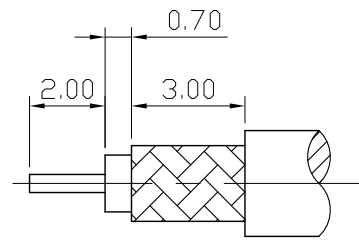


No.	DATE	DESCRIPTION	REV	REMARK : RoHS REQUIREMENT APPLIED (符合RoHS)	DATE	DRAWING NO.
-----	------	-------------	-----	---	------	-------------

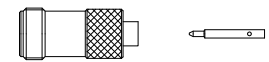


Electricals:


1. Impedance : 50 ohms
2. frequency Range : 0~30 GHz
3. V.S.W.R : 1.3 MAX.
4. Working Voltage : 500V rms min.
5. Dielectric Withstanding Voltage : 5000 MΩ min.



RECOMMENDED CABLE STRIPPING DIM'S
(建議剝線尺寸)



S 1 : 1

-						DIMENSIONS ARE IN MILLIMETERS UNLESS OTHERWISE PECIFIED TOLERANCES (一般公差) 0.5~6 = ±0.2 >6~30 = ±0.4 >30~120 = ±0.6 >120~315 = ±1 >315~1000 = ±1.6 ANGLES(角度) = ±5°	CHECKED	 雅鈦企業有限公司 Aec Connectors Co., Ltd.	
-	contact pin	1	brass	gold(3u")	CC-1031027A-3		DRAWN		TITLE 5G COMMUNICATIONS CONNECTOR PLUG SOLDER FOR SS405(HARBOUR®) CABLE
-	insulator	1	PTFE	nature	CC-1031027A-2		<i>Chad</i>		DRAWING NO. CC-1001AGTG-SF6615
-	body	1	brass	gold	CC-1031027A-1		DATE		FILE NO. DRAWINGRFCC-1001AGTG-SF6615
NO.	Description	Unit	Materials	Finish	Drawing No.		SCALE 5 : 1 UNIT MM		2016. 02. 23