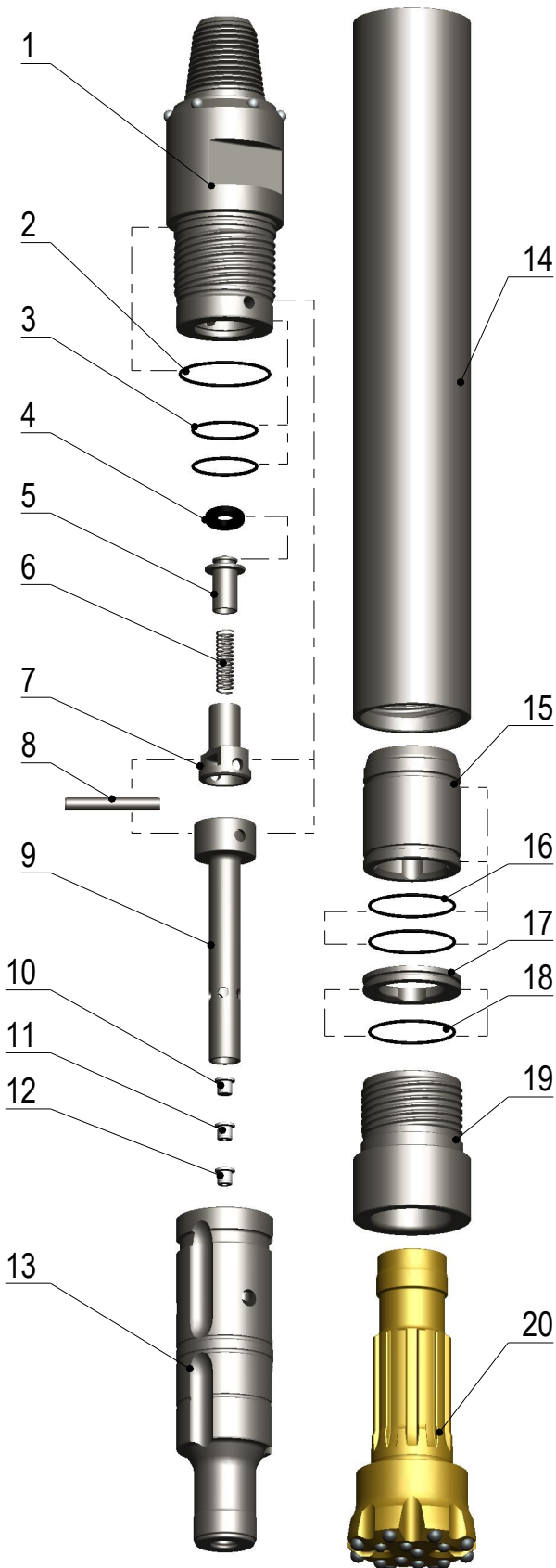


High Air Pressure Without Foot Valve DTH Hammers



WQ55B DTH HAMMER			
Item	Item Description	Part No.	Weight
1	Top Sub	WQ55B0101	18.50
2	O-Ring	WQ55B0201	0.01
3	O-Ring	WQ55B0901	0.01
4	Quad-Ring	WQ55B0401	0.01
5	Check Valve	WQ55B0501	0.16
6	Spring	WQ55B0701	0.02
7	Check Valve Holder	WQ55B0601	0.33
8	Dowel Pin	WQ55B0801	0.12
9	Central Control Tube	WQ55B1001	0.87
10	Air Plug Without Hole	WQ55B1201	0.01
11	Air Plug With $\varnothing 4$ Hole	WQ55B1202	0.01
12	Air Plug With $\varnothing 6$ Hole	WQ55B1203	0.01
13	Piston	WQ55B1401	16.06
14	Piston Case	WQ55B0301	22.63
15	Guide Sleeve	WQ55B1701	3.77
16	O-Ring	WQ55B1801	0.01
17	Bit Retaining Ring	WQ55B1901	0.50
18	O-Ring	WQ55B1801	0.01
19	Chuck	WQ55B2001	5.94
20	Bit		16.20