

CNC EQUIPMENT, INDUSTRIAL ROBOTS, AUTOMATION

CUBIC MACHINERY

FOR CALIFORNIA CUSTOMERS ONLY

**BIGGEST
SALE
OF THE YEAR**

Our end-of-the-year sale is going on now!
These red hot deals will not be around for long.

cubicmachinery.com

TR - Series Drill and Tapping Centers...

...are similar to Brother or Robodrill. Not only for rigid tapping, they are all-around high speed, compact machining centers backed by the dependability of FANUC control. 4th and 5th axis options are also available.



TR-45E

- 10,000 RPM Direct Drive Spindle
- XYZ Travels: 17.7x11.8x11.8 in
- BT#30 Dual-Contact Spindle
- 12-tool ATC w/ 1.4 Sec Tool Changes
- Fanuc 0i-MD Control

\$45,000



TR-56S

- Automatic Pallet Changer
- 8,000 RPM Direct Drive Spindle
- BT#40 Spindle
- ATC w/1.8 sec. Tool Changes
- Fanuc 0i-MD Control

\$90,000

Horizontal Machining Centers:



The image shows a Cubic H300 Horizontal Machining Center, a large industrial machine with a white and grey finish. It features a control panel with a screen and buttons, and a large door on the left side. The machine is set against a dark red background with a blue geometric shape.

H300

- Super Compact Footprint of 11 ft x 8 ft
- Automatic Pallet Changer
- 10,000 RPM Spindle
- B-Axis
- 50-Tool ATC
- XYZ Travels: 18.1x13.7x13.7 in
- MITSUBISHI M70 control

\$140,000

Horizontal Machining Centers: HMCs are an efficient and powerful method for manufacturing multiple parts. Cubic's H300 comes stock with a tombstone and automatic pallet changer, allowing manufacturers to simultaneously load and machine parts, significantly decreasing machine idle time while increasing spindle utilization.

Vertical Machining Centers:

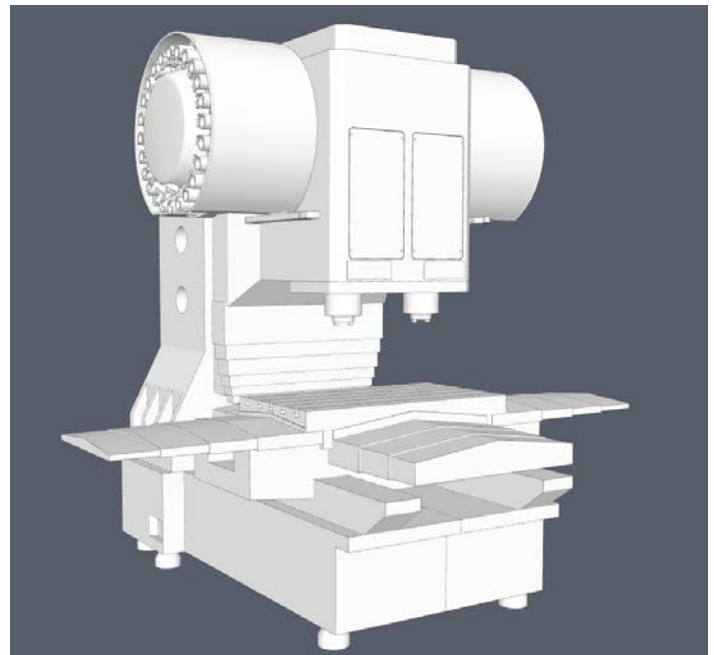


VMC-850-2S

- XYZ travels: 33.5 x23.6 x23.6 in
- 8,000 rpm Spindle Speed
- 24-Tool Arm-Type ATC
- Dual Spindle
- Fanuc 0i-MD Control

\$110,000

Dual Spindle Vertical Machining Center: **Cubic's VMC-850-2S** is a dual spindle vertical mill that can deliver up to 2X the productivity, within a footprint only slightly larger than that of a single-spindle machine. Labor and maintenance work are also decreased by consolidating workpieces to one machine that otherwise would have been on two.



Turning Centers:

With its robust construction and rugged design, Cubic's YH series offers the power to machine even exotic materials.

YH-15

- CNC Chucker
- Small Footprint
- 9.8" Swing, 4.72" Turning Diameter
- 8-Station Turret (IKEGAI Layout – Less Interference)
- 0.3 sec Turret Indexing
- 15 HP FANUC Spindle Motor
- 6" 3-jaw Chuck
- Linear Guideways

\$45,000



Turning Centers

YH-21



- 22" Swing, 8" Chuck
- 17.7" Turning Length
- 10-Station Turret
- 15 HP Spindle Motor
- Parts Catcher
- Tool Setter
- FANUC Control
- Box-ways

\$52,000

YH-50/150



- 31.5" Swing
- 59" Turning Length
- 12-Station Turret
- 60 HP FANUC Spindle Motor
- ZF Gearbox for Extra Torque
- Box-Ways

\$120,000

*Sale pricing valid for companies in California only.