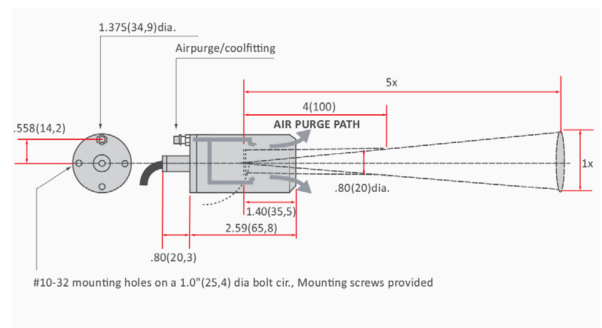


AUTOSMART 5

Product Overview

The AutoSmart 5 features:

- Infrared Thermocouple IRT/c
- Non-contact
- Self-powered
- Intrinsically Safe
- Repeatability 0.02°F (0.01°C)
- Interchangeability ±1%
- Resolution approx. 0.0001°C
- Small Size

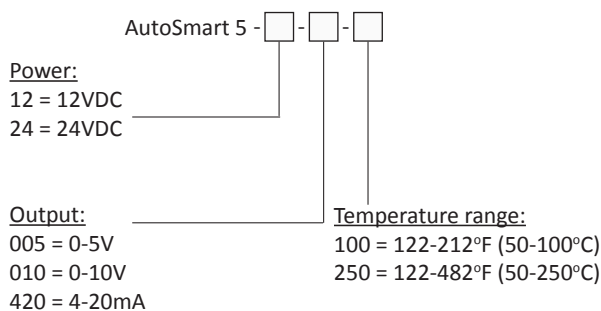


Technical Data

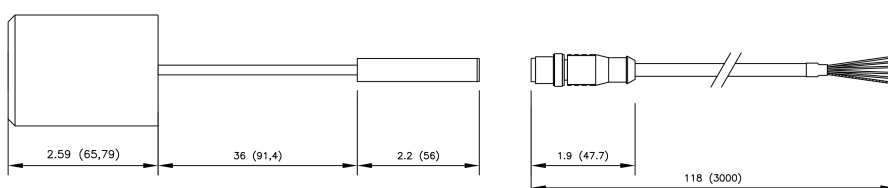
Sensing Range	-50 to 1200°F (-45 to 650°C)
Sensor Ambient Temperature Range	0 to 400°F (-18 to 200°C)
Transmitter Ambient Temperature Range	32 to 158°F (0 to 70°C)
Storage Temperature Range	14 to 158°F (-10 to 70°C)
Field of View	approximately 5:1 (11°)
Minimum Spot Size	0.8" (20mm)
Spectral Response	6.5 to 14μm
Update Time	Approximately 250 msec.
First Reading Upon Power Up	Approximately 2 seconds

Cable	1. 9.8ft (3M) 22AWB*4C + F + Jacket black PUR cable OD=5.0mm -40°C~+105°C 2. 3ft (0,9M) Twisted shielded pair of base thermocouple material (J,K,E,T) Telfon sheathed, rated to 392°F (200°C) continuous service
Sensor Dimensions	3.4" x 1.375" Dia. (86 x 35mm)
Weight	Sensor: 6.5oz. (184 grams) with cable Transmitter: Approximately 1.702oz. (50g)
Housing	Stainless steel, hermetically sealed, exceeds NEMA 4,4X; IP65, 67, cable shield grounded to housing and electrically isolated from signal
Emissivity Setting	0.90
Power	12 or 24VDC (±10%). Shuts off when voltage is functionally low
Power Consumption	±10 mA (without output signal device)
Including Air Purge	Built-in; designed for severe paint or ink environment; 3' (0.9 m) of tubing provided
Loop Impedance	(4-20mA models) >500Ω

Ordering Information



Dimensions



Exergen Global offices:

The Netherlands
Pastoor Clercxstraat 26
5465 RH Veghel
Tel: +31 (0)413 376 599
Fax: +31 (0)413 379 310

USA
400 Pleasant Street
Watertown, MA 02472
Tel: +1 617 649 6322
Fax: +1 617 923 9911

Specifications subject to change without notice

office@exergenglobal.com
www.exergenglobal.com

DS-2021-02-EN-V0