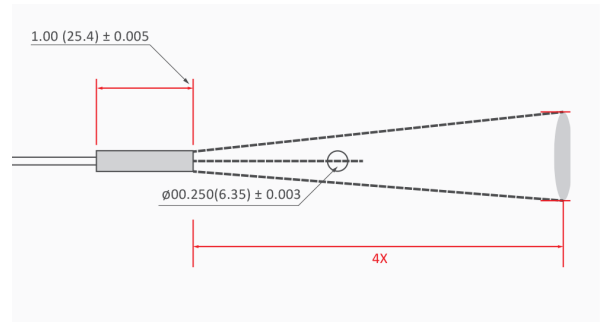


AUTOSMART M4

Product Overview

The AutoSmart M4 features:

- Output 0-5V, 0-10V, 4-20mA
- Non-contact
- Repeatability error 0.1% full scale
- Interchangeability $\pm 1.5\%$ full scale
- Resolution approx. 0.1°C
- Small size sensor



Technical Data

Sensing Range	122 to 482°F (50 to 250°C)
Sensor Ambient Temperature Range	-4 to 212°F (-20 to 100°C). Air purge jacket available for cooling to 347°F (175°C)
Transmitter Ambient Temperature Range	32 to 158°F (0 to 70°C)
Storage Temperature Range	14 to 158°F (-10 to 70°C)
Field of View	approximately 4:1 (14°)
Minimum Spot Size	0.1" (3mm)
Spectral Response	5.0 to 20µm
Update Time	Approximately 250 msec.
First Reading Upon Power Up	Approximately 2 seconds

Cable	1. 9.8ft (3M) 22AWB*4C + F + Jacket black PUR cable OD=5.0mm -40°C~+105°C 2. 3ft (0,9M) Unshielded, duplex insulated, type K, 24AWG, PFA jacket rated to 500°F (260°C)
Sensor Dimensions	0.25" (6.3mm) Dia. x 1.0" (25.4mm)
Weight	Sensor: 1oz (30g) Transmitter: Approximately 1.702oz. (50g)
Housing	Sensor: Stainless steel, hermetically sealed, exceeds NEMA 4X, IP67. Transmitter: Heavy Duty SS, NEMA, IP54. Air Purge: Makrolon-9415
Emissivity Setting	0.90
Power	12 or 24VDC ($\pm 10\%$). Shuts off when voltage is functionally low
Power Consumption	± 10 mA (without output signal device)
Loop Impedance	(4-20mA models) >500Ω

Ordering Information

AutoSmart M4 - [] - [] - []

Power:

12 = 12VDC
24 = 24VDC

Output:

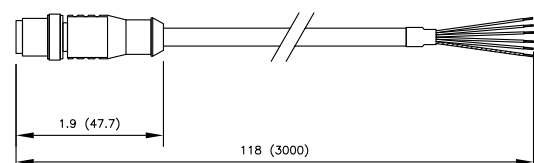
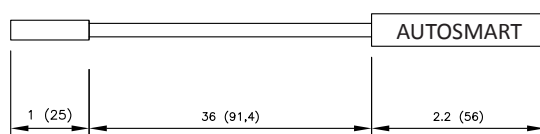
005 = 0-5V
010 = 0-10V
420 = 4-20mA

Temperature range:

100 = 122-212°F (50-100°C)
250 = 122-482°F (50-250°C)



Dimensions



Exergen Global offices:

The Netherlands
Pastoor Clercxstraat 26
5465 RH Veghel
Tel: +31 (0)413 376 599
Fax: +31 (0)413 379 310

USA
400 Pleasant Street
Watertown, MA 02472
Tel: +1 617 649 6322
Fax: +1 617 923 9911

Specifications subject to change without notice

office@exergenglobal.com
www.exergenglobal.com

DS-2020-01-EN-V0