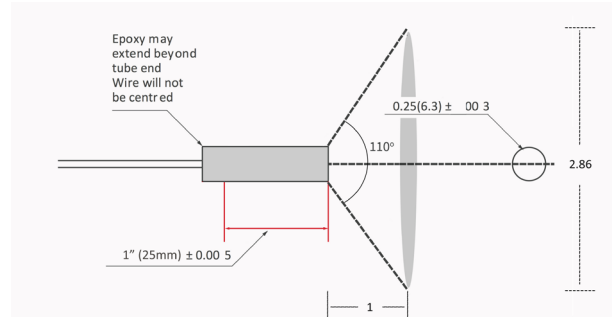


## MICRO IRt/C

### Product Overview

The Micro IRt/c features:

- Infrared Thermocouple IRt/c
- Non-contact
- Self-powered
- Intrinsically Safe
- Repeatability 0.02°F (0.01°C)
- Interchangeability ±1%
- Resolution approx. 0.0003°C
- Small Size



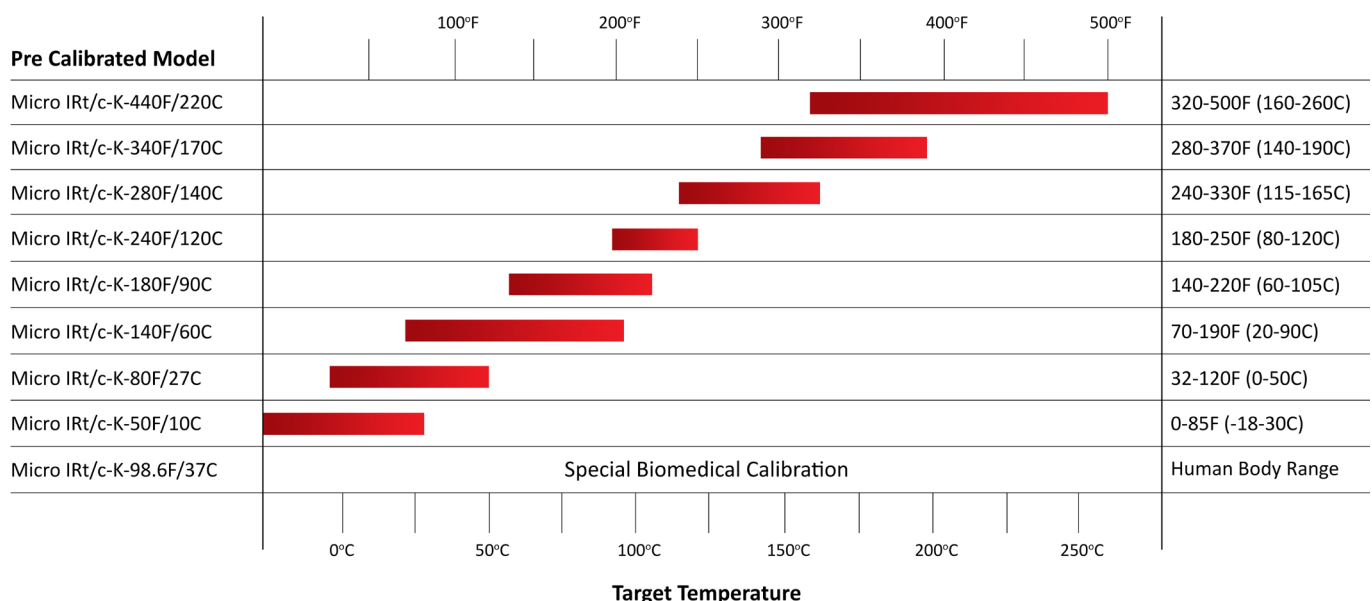
### Technical Data

Sensing Range	0 to 975°F (-18 to 524°C)	Dimensions	0.25" (6.3mm) Dia. x 1.0" (25.4mm)
Ambient Temperature Range	-29 to 185°F (-20 to 85°C) permanent -29 to 212°F (-20 to 100°C) non permanent. Air Purge jacket available for cooling to 347°F (175°C)	Housing	Stainless Steel, Hermetically sealed, exceeds NEMA 4X, IP67
Optimum Range Selections	Eight models per t/c type (see Temperature Selection Chart)	Cable	3 feet of unshielded, duplex insulated, type K, 24 AWG, PFA jacket rated to 500°F (260°C) (Shielded cable available upon request)
Field of View	approximately 1:2 (110°)	Weight	Approximately 1oz. (30 grams) with cable
Minimum Spot Size	.1" (3mm)	Input Device Compatibility	It is recommended to use input devices with less than 1 nA of leakage current to minimize offsets, and sensor break detection should be set to 45 Kohm maximum.
Spectral Response	5.5 to 20μm		
Output Impedance	17-45 Kohms		
Response Time	50 Milliseconds		

### Calibration

Ordering information **Micro IRt/c-K-** (Precalibrated Temperature Range).

Temperature Selection Chart



Exergen Global offices:

The Netherlands  
Pastoor Clercxstraat 26  
5465 RH Veghel  
Tel: +31 (0)413 376 599  
Fax: +31 (0)413 379 310

USA  
400 Pleasant Street  
Watertown, MA 02472  
Tel: +1 617 649 6322  
Fax: +1 617 923 9911

Specifications subject to change without notice

office@exergenglobal.com  
www.exergenglobal.com

DS-603-EN-V1