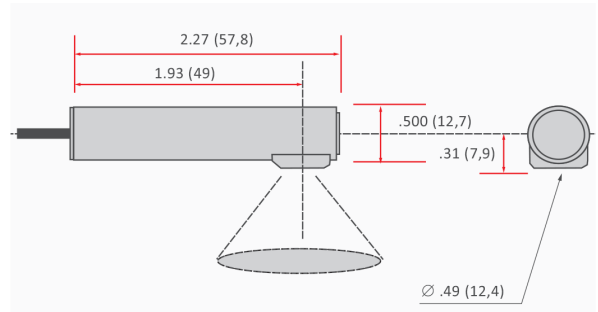


## IRT/C.SV

### Product Overview

The IRT/c.SV features:

- Infrared Thermocouple IRT/c
- Non-contact
- Self-powered
- Intrinsically Safe
- Repeatability 0.02°F (0.01°C)
- Interchangeability ±1%
- Resolution approx. 0.0001°C
- Small Size



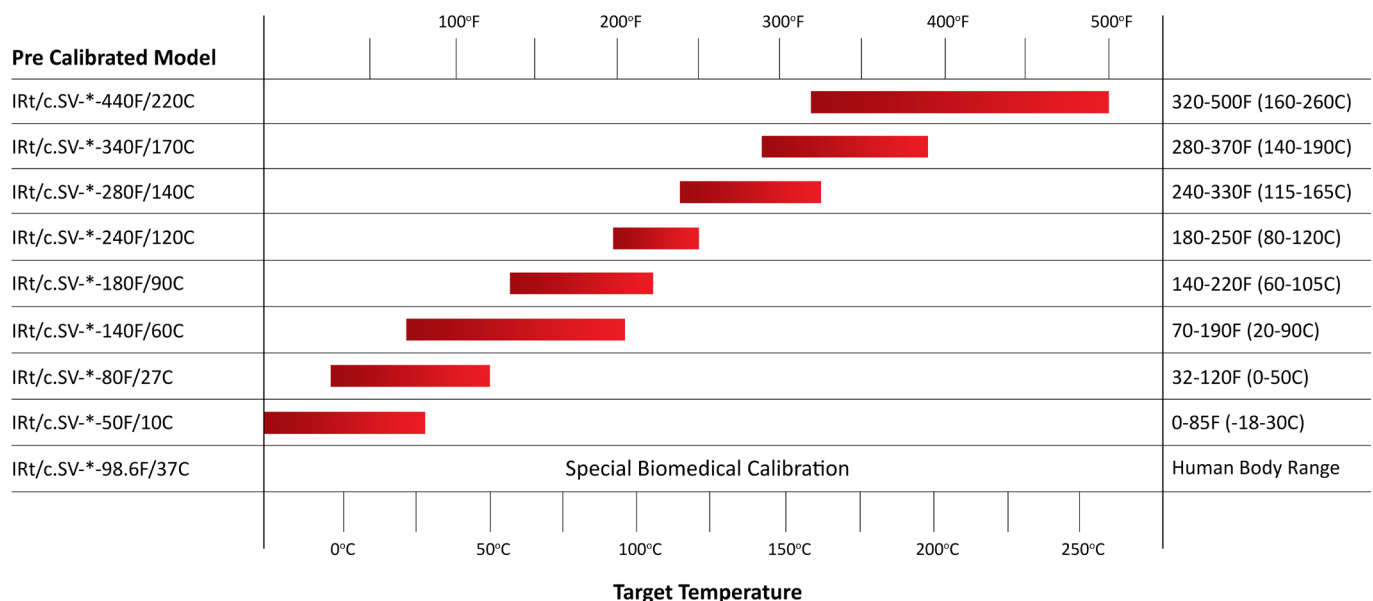
### Technical Data

Sensing Range	-50 to 1200°F (-45 to 650°C)	Response Time	100 Milliseconds
Ambient Temperature Range	0 to 212°F (-18 to 100°C)	Dimensions	2.77" x 0.50" Dia. (57.8 x 12.7 mm)
Optimum Range Selections	Eight models per t/c type (see Temperature Selection Chart)	Housing	Stainless steel, hermetically sealed, exceeds NEMA 4,4X; IP65, 67, cable shield grounded to housing and electrically isolated from signal
Field of View	approximately 1:1 (60°)	Cable	Twisted shielded pair of base thermocouple material (J,K,E,T), 3ft (.9m) std length, Teflon sheathed, rated to 392°F (200°C) continuous service
Minimum Spot Size	.3" (8mm)	Weight	1.4oz. (40 grams) with cable
Spectral Response	6.5 to 14µm		
Output Impedance	3 Kohms approx		

### Calibration

Ordering information **IRT/c.SV-\*** (Thermocouple Type) - (Precalibrated Temperature Range).  
Thermocouple type J,K,E,T over temperature range specified.

Temperature Selection Chart



Exergen Global offices:

The Netherlands  
Pastoor Clercxstraat 26  
5465 RH Veghel  
Tel: +31 (0)413 376 599  
Fax: +31 (0)413 379 310

USA  
400 Pleasant Street  
Watertown, MA 02472  
Tel: +1 617 649 6322  
Fax: +1 617 923 9911

Specifications subject to change without notice

office@exergenglobal.com  
www.exergenglobal.com

DS-619-EN-V0