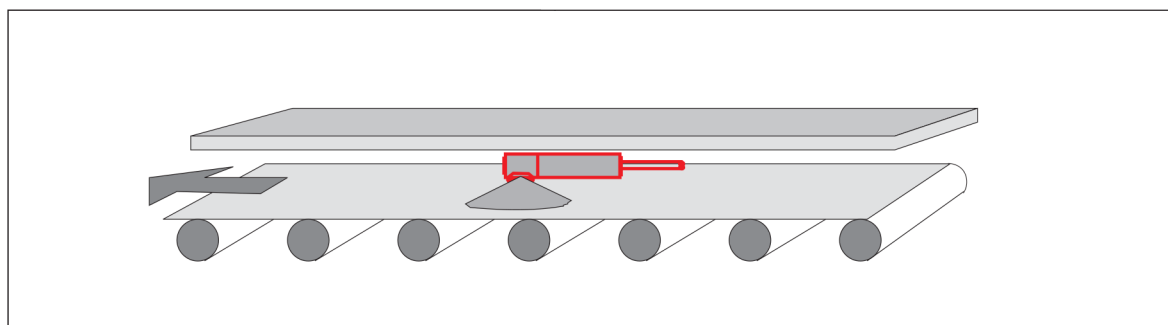
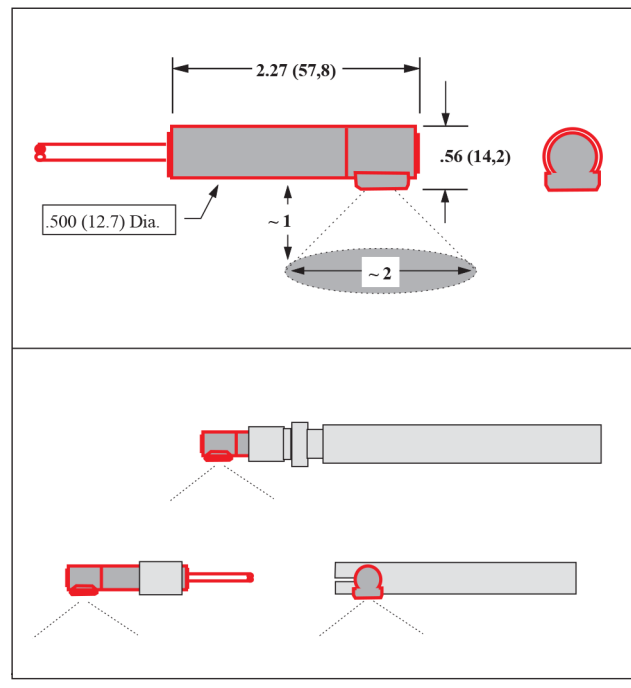


SIDE VIEW MODEL DESIGNED FOR MONITORING WEB PROCESSES

IRt/c.SV

In heating, drying, coating, cooling, or any other thermal processing of webs of paper, plastic, metals, textiles, film, etc., often there is very little space available for a sensor to monitor web temperature. In a space as small as 0.56 in. (14.2 mm) the IRt/c.SV Infrared Thermocouple can be installed to monitor temperature of the moving web, and reliably control the process to maximize quality and throughput of product.

The IRt/c.SV has all of the same specifications as the standard IRt/c, including no power requirement, rugged stainless steel hermetically sealed construction, intrinsically safe, full electrical shielding, ~0.1 second response time, and ability to operate uncooled in environments up to 212°F (100°C). It is available in J,K,T,E thermocouple types, with linear range selections the same as the standard IRt/c. The solid filled 1/2 in. (12.7 mm) tubular housing can be held securely with convenient tube fittings or standard clamps to mount the sensor over the target area.



Exergen Global offices:

The Netherlands
Pastoor Clercxstraat 26
5465 RH Veghel
Tel: +31(0) 413 37 65 99
Fax: +31(0) 413 37 93 10

USA
400 Pleasant Street
Watertown, MA 02472
Tel: +1 617 649 6322
Fax: +1 617 923 9911

office@exergenglobal.com
www.exergenglobal.com