

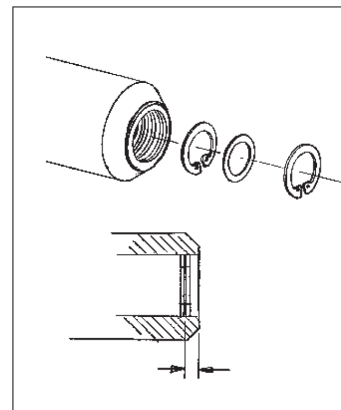
INCREASING TEMPERATURE RANGE, IMPROVING ADJUSTMENT SENSITIVITY, AND REDUCING THE MINIMUM SPOT SIZE WITH THE APERTURE KIT

For all IRt/c adjustable models an Aperture Kit is provided to offer the ability to extend the target temperature range, improve the adjustment sensitivity of the adjustment potentiometer, and reduce the minimum spot size to as small as 1/4 in. (6 mm).

The kit consists of one 1/2 in. (13 mm) and one 1/4 in. (6 mm) stainless steel apertures and two retaining rings. The apertures and retainers are installed as shown, taking care that the retainers sit and lock between the internal threads. The precise axial location is not critical. Install only one aperture, based on the requirements of your application.

The function of the aperture is to reduce the quantity of radiated energy entering the IRt/c optical system, thus increasing the rated maximum target temperature before burn-out. In addition, since less signal is produced at a given temperature, the adjustment will be less “tweaky” when calibrating the IRt/c installation. The table below

lists the range of temperatures for each model recommended with and without the apertures. These recommendations are approximate, since the actual signal level will depend on the actual target characteristics (emissivity, etc.). If there is insufficient adjustment range available with the small aperture installed, simply replace it with the large one, or remove it. If the adjustment is too sensitive, install an aperture. Use the table below to set up your installation initially, to make sure that the IRt/c is not damaged by excessive radiation, then adjust up or down as required to



meet your calibration requirements. The ranges below assume that you are using the technique described in Tech Note #70 or an equivalent calibration method.

Model	No Aperture	1/2" (13mm) Aperture	1/4" (6mm) Aperture
IRt/c.10A- ** - HiE IRt/c.xxxACF- ** - HiE IRt/c.xxxAMF - ** -HiE	to 700°F to 370°C	500 to 1500°F 260 to 820°C	1300 to 2500°F 700 to 1370°C
IRt/c.10A- ** - LoE IRt/c.xxxACF- ** - LoE IRt/c.xxxAMF - ** -LoE	to 1400°F to 760°C	1200 to 1800°F 650 to 980°C	1600 to 2500°F 870 to 1370°C
IRt/c.20A- ** - HiE IRt/c.xxxALF - ** -HiE	to 1200°F to 650°C	1000 to 2500°F 540 to 1370°C	2300 to 3000°F 1260 to 1650°C
IRt/c.20A- ** -LoE IRt/c.xxxALF - ** -LoE	to 1800°F to 980°C	1000 to 2500°F 540 to 1100°C	2500 to 3500°F 1370 to 1930°C
IRt/c.100A- RS -HiE IRt/c.xxxAXLF - RS -HiE	to 2500°F to 1370°C	2000 to 4000°F 1100 to 2200°C	3500 to 5000°F 1930 to 2760°C
IRt/c.100A- RS -LoE IRt/c.xxxAXLF - RS -LoE	to 3500°F to 1930°C	2500 to 4500°F 1930 to 2500°C	4000 to 5000°F 2200 to 2760°C

Exergen Global offices:

The Netherlands
 Pastoor Clercxstraat 26
 5465 RH Veghel
 Tel: +31(0) 413 37 65 99
 Fax: +31(0) 413 37 93 10

USA
 400 Pleasant Street
 Watertown, MA 02472
 Tel: +1 617 649 6322
 Fax: +1 617 923 9911

office@exergenglobal.com
 www.exergenglobal.com