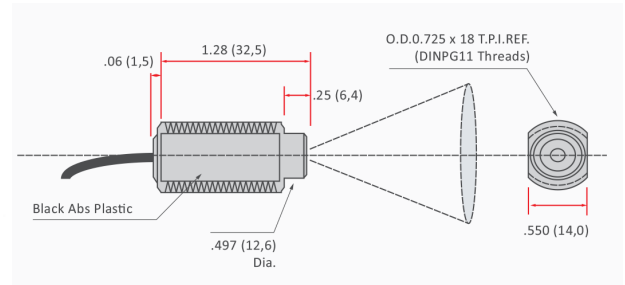


SMART IRT/C.03

Product Overview

The Smart IRT/c.03 features:

- Output 0-5V, 0-10V, 4-20mA, RS232
- Non-contact
- Repeatability error 0.1% full scale
- Interchangeability $\pm 1.5\%$ full scale
- Resolution approx. 0.1°C
- Small size sensor



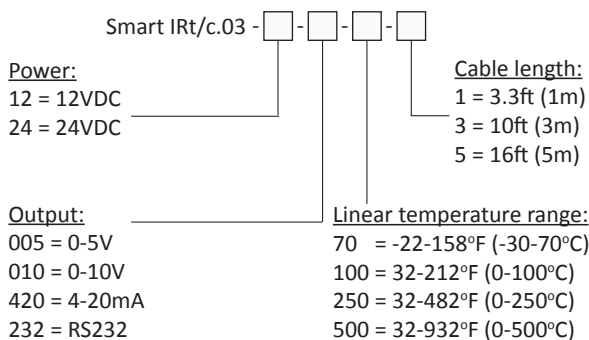
Dimensions are in inches (mm)

Technical Data

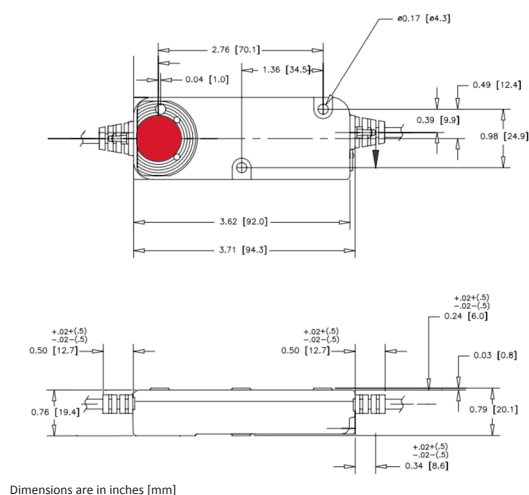
Sensing Range	-22 to 932°F (-30 to 500°C)
Sensor Ambient Temperature Range	0 to 160°F (-18 to 70°C)
Transmitter Ambient Temperature Range	32 to 158°F (0 to 70°C)
Storage Temperature Range	14 to 158°F (-10 to 70°C)
Field of View	3:1 (17°) approximately
Minimum Spot Size	0.25" (6mm)
Spectral Response	5.0 to 20 μ m
Update Time	Approximately 250 msec.
First Reading Upon Power Up	Approximately 2 seconds

Cable	5 conductor, tinned copper, twisted pair, polypropylene, insulated with shielded wire
Sensor Dimensions	1.28" x .71" Dia. (32.5 x 20mm)
Weight	Sensor: 1.4oz (40g) Transmitter: Approximately 8oz. (227g)
Housing	Sensor: High strength ABS, hermetically sealed, exceeds NEM, 4,4x; IP65,67. Two locknuts supplied. Transmitter: Heavy Duty Alloy Casting, NEMA, IP54
Emissivity Setting	0.90
Power	12 or 24VDC ($\pm 10\%$). Shuts off when voltage is functionally low
Power Consumption	< 800mW at 24VDC and < 600mW at 12VDC
Loop Impedance	(4-20mA models) 50 Ω

Ordering Information



Transmitter Dimensions



Dimensions are in inches [mm]

Exergen Global offices:

The Netherlands
Pastoor Clercxstraat 26
5465 RH Veghel
Tel: +31 (0)413 376 599
Fax: +31 (0)413 379 310

USA
400 Pleasant Street
Watertown, MA 02472
Tel: +1 617 649 6322
Fax: +1 617 923 9911

Specifications subject to change without notice

office@exergenglobal.com
www.exergenglobal.com

DS-513-EN-V0