

Please fill in the form below. You can do so electronically or by printing it out and completing manually; compulsory fields are shown as \* and outlined in red in the electronic version. Any questions? Just call us on 01546 327 888 or email sales@karitek.co.uk.



Complete the form online using the free Acrobat reader, available from [get.adobe.com/uk/reader/](http://get.adobe.com/uk/reader/)  
Email the completed form to [sales@karitek.co.uk](mailto:sales@karitek.co.uk).



If you print out the form to complete it, post to us at:  
**Karitek, Chalmers Street (opposite the Egg Shed),  
Ardrishaig, PA30 8EY**

### Customer details


Name*	
Address*	
Postcode*	
Country*	
Telephone*	
Email	
Date*	
Your height*	


### Vehicle details

Make*	
Model*	
Year*	
Type of roof*	

*metal / popup / coachbuilt*

### Vehicle equipment details (if fitted)

Make of roof rails	
Drop from roof to top of awning (mm) 	

 Please include photos of awning supports/brackets

### Intended use - what will you carry?

	Number	Make & model
Kayaks		
Canoes		
Sit-on-tops		
Other - please specify		

### Delivery/fit (please select one)

 Deliver to me

 Fit at the Ayrshire workshop

### Any additional information



**Please include or email photos** of your van, including **roof views**, **side views** (to the side where the roof rack will be lowered - usually the nearside/passenger side) and your **awning supports/brackets** (if fitted).

 I include or will email photos

**NOW COMPLETE THE FORM BY FILLING IN ONE OF THE FOLLOWING SECTIONS**



Please now complete ONE of the following sections, giving us the measurements of your vehicle. Accuracy is important as your roof rack is individually made to suit the measurements you supply. **All measurements should be in mm and should be accurate to the nearest mm.**

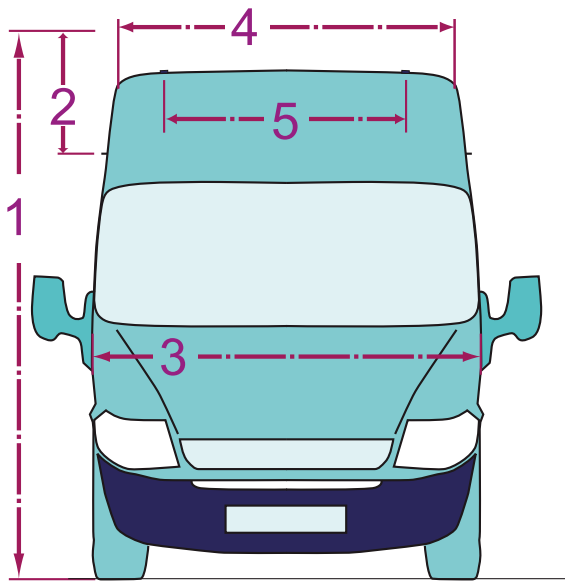
Complete only the section that corresponds to your vehicle:

Section 1. Your high lift roof rack is to be fitted to your van's existing roof rails

Section 2. Karitek rails will be installed on your van to which your high lift roof rack will be fitted

Section 3. Your high lift roof rack is to be fitted to your van's existing cross bars

**Section 1. Complete this section if your van already has roof rails fitted**

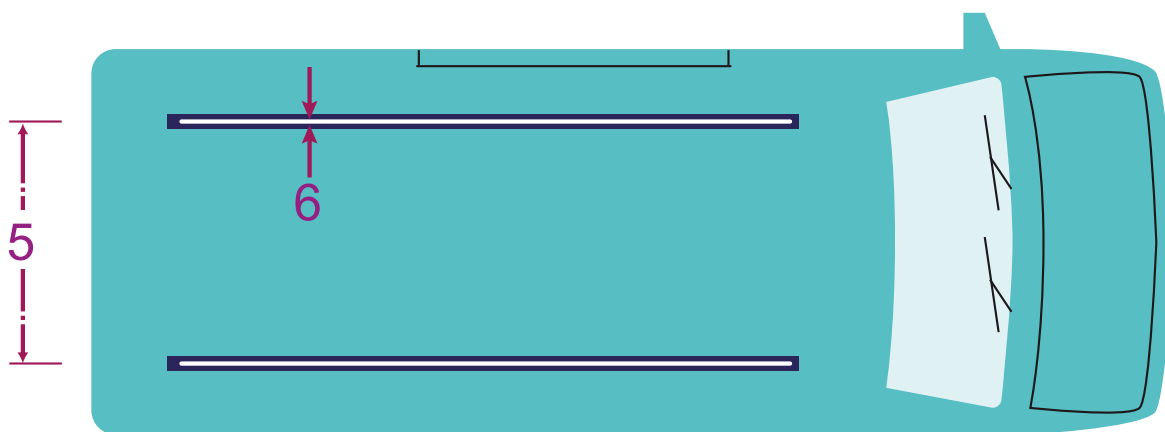


front view

Vehicle dimensions: see sketches for key

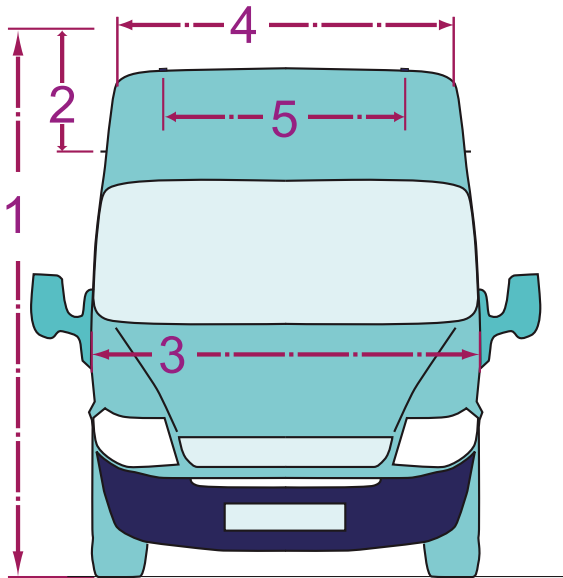
(1) Height of roof rails		mm
(2) Drop to top of side window (if fitted)		mm
(3) Width of vehicle (overall)		mm
(4) Width of vehicle (at roof rack height)		mm
(5) Distance between rails across vehicle (centre to centre)		mm
(6) Width of the slot in the roof rail track and/or the thread size that will fit		mm

Measurements to be in mm and accurate to the nearest mm.



top view

Section 2. Complete this section if your van has bracket mounting positions on the roof



front view

Vehicle dimensions: see sketch (left) for key

(1) Height of bracket mounting positions on roof		mm
(2) Drop from roof to top of side window (if fitted)		mm
(3) Width of vehicle (overall)		mm
(4) Width of vehicle (at bracket mounting position height)		mm
(5) Distance across vehicle roof between bracket mounting positions		mm

Measurements to be in mm and accurate to the nearest mm.

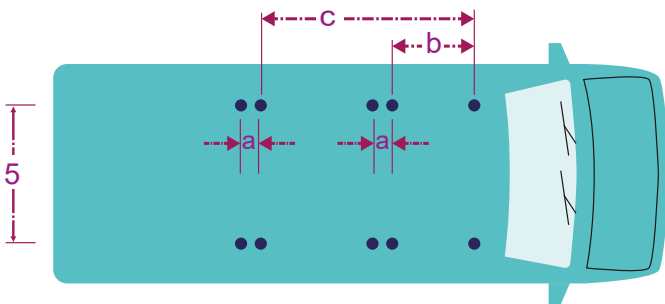
Now please carefully measure the distances between the bracket mounting positions on the roof.

Vehicle manufacturers change these positions from time to time. We need to know the positions accurately on your vehicle to manufacture your roof rails to fit. See the diagrams below for common layouts and measurements but be sure to supply the values specific to your vehicle.

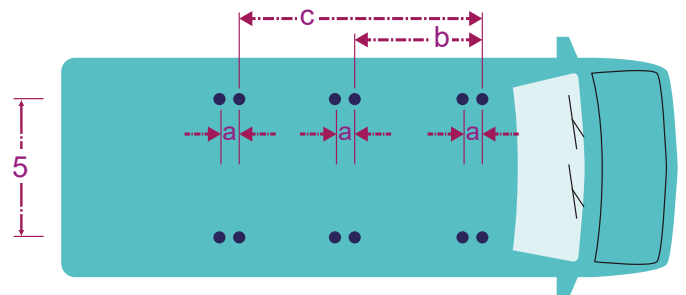
Dimensions: see sketches below for key

(a) distance between adjacent bracket mounting point pairs		mm, centre to centre
(b) from frontmost mounting point to front of 2nd pair of mounting points		mm, centre to centre
(c) from frontmost mounting point to front of 3rd pair of mounting points		mm, centre to centre
(d) from frontmost mounting point to front of 4th pair of mounting points (if fitted)		mm, centre to centre

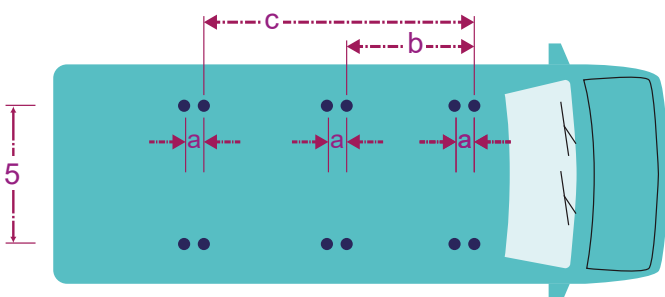
Measurements to be in mm and accurate to the nearest mm.



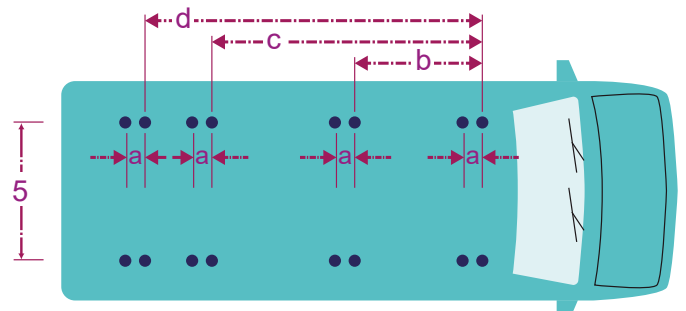
Roof type 1: top view (not to scale)  
a=55mm b=478mm c=1433mm



Roof type 2: top view (not to scale)  
a=55mm b=955mm c=1655mm

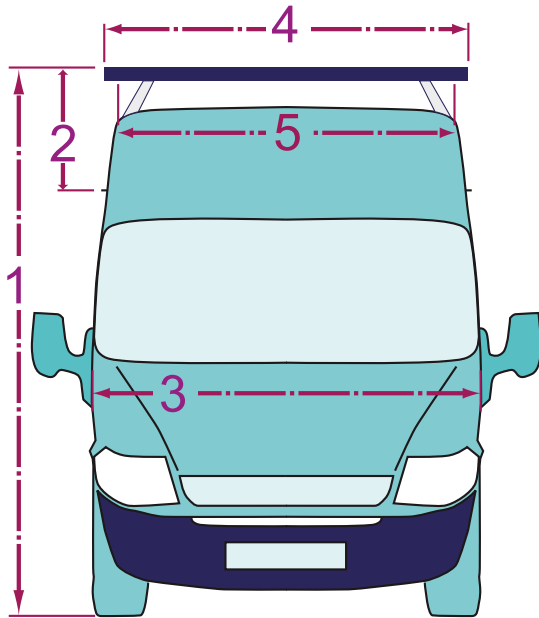


Roof type 3: top view (not to scale)  
a=55mm b=955mm c=1885mm



Roof type 4: top view (not to scale)  
a=55mm b=955mm c=1885mm  
d=2175mm

Complete this section if your van has roof bars to which your Karitek roof rack will be attached

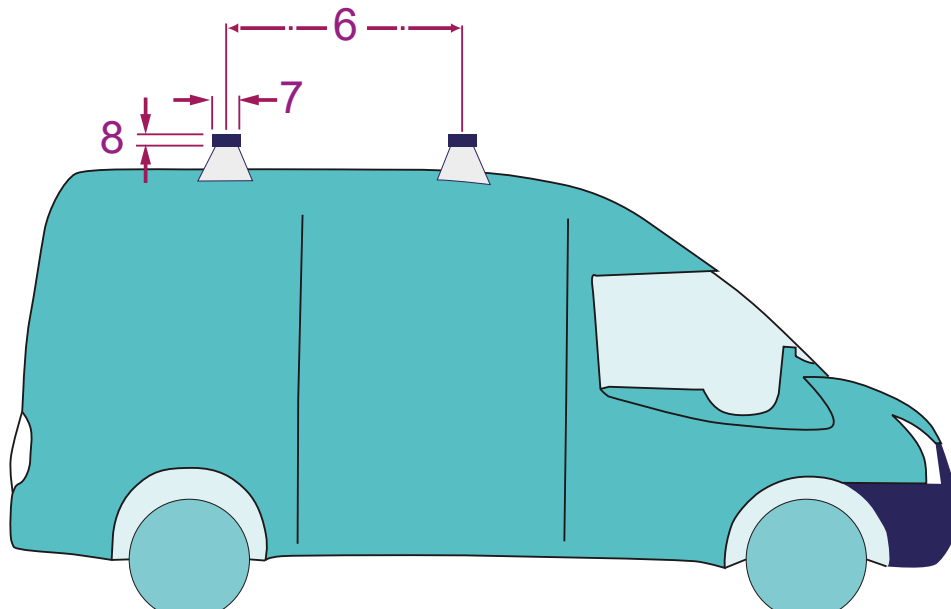


front view

Vehicle dimensions: see sketches for key

(1) Height of roof bars		mm
(2) Drop to top of side window (if fitted)		mm
(3) Width of vehicle (overall)		mm
(4) Width of roof bars		mm
(5) Width of vehicle (at roof bar height)		mm
(6) Distance (along vehicle) between bars, centre to centre		mm
(7) Roof bar cross section: width		mm
(8) Roof bar cross section: height		mm

Measurements to be in mm and accurate to the nearest mm.



side view

If you have any questions about this form, please do not hesitate to get in touch by email at [sales@karitek.co.uk](mailto:sales@karitek.co.uk) or call 01546 327 888 (international : 0044 1546 327 888).

We're here to help!

[www.karitek.co.uk](http://www.karitek.co.uk)

Office use only

Order number	
Order date	
Despatch date	

Notes	
-------	--



**High Lift Roof Rack  
Order/Enquiry Form**