

Standard
designs

THE STYLE LIBRARY

FEFCO

European Federation of
Corrugated Board Manufacturers

Unless otherwise specified all dimensions are expressed as internal dimensions in mm as follows:

Length (L) = the longer dimension at the opening

Breadth(B) = the shorter dimension at the opening

Height (H) = the dimension from the top of the opening to the base

The dimensions L, B, H are specified in each description of the case construction, for some models the numerical value of B can exceed the numerical value of L.

Dimensions should be measured under standard climatic conditions, on the flat blank from the centre of crease bearing the thickness of the material in mind.

For telescope-type boxes the height (h) of the upper part (lid) should be given as a fourth measurement after an oblique stroke, i.e.

355 x 205 x 120/40 mm

(L) (B) (H) (h)

For cases with overlapping outer flaps the length of the area of overlapping (o) should be given as a fourth measurement after an oblique stroke, i.e.

355 x 205 x 120/40 mm

(L) (B) (H) (o)

Each design style includes one of the following indications:

M = usually manual erection

A = usually automated erection

M/A = can be either manual or automated

M+A = requires a combination of both

0200 0320

0201 0401

0203 0409

0210 0421

0215 0422

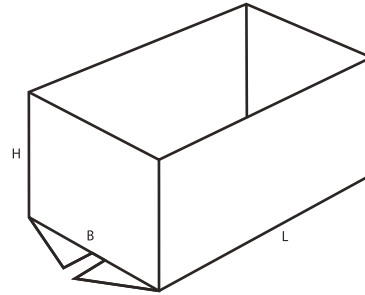
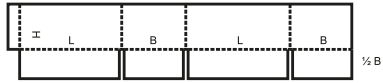
0216 0426

0300 0427

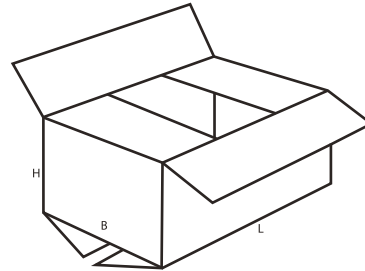
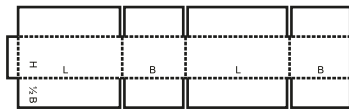
0310



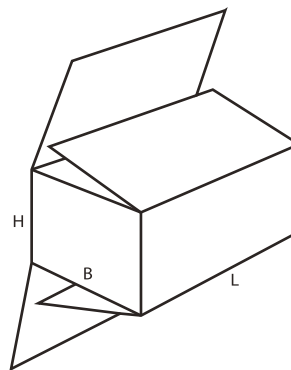
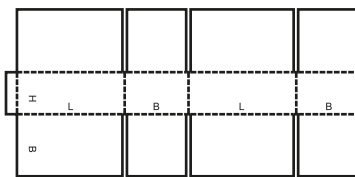
0200 M/A



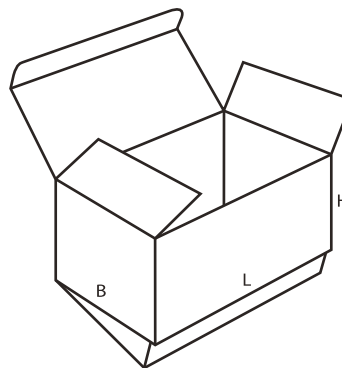
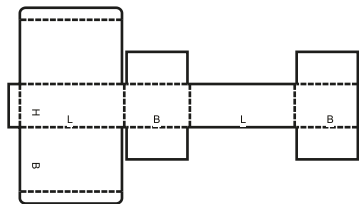
0201 M/A



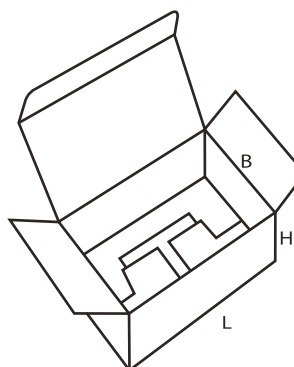
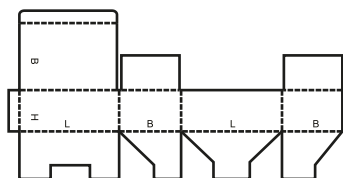
0203 M/A



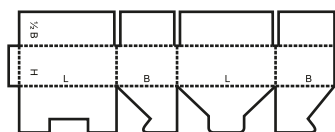
0210 M



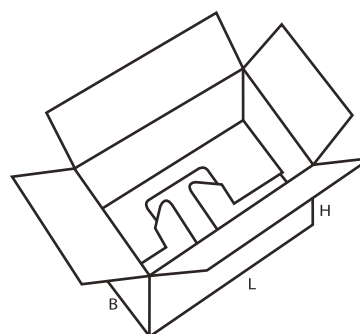
0215 M



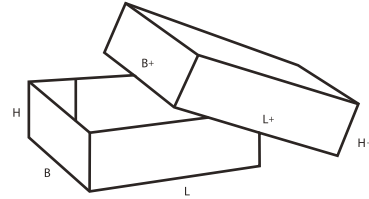
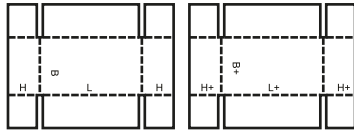
0216 M



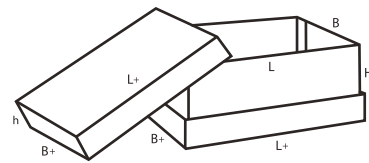
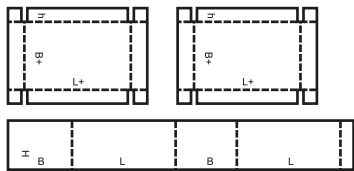
closure of top can be automated
la fermeture du dessus peut être automatisée
Derverschluss des aufsatzes kann automatisiert werden



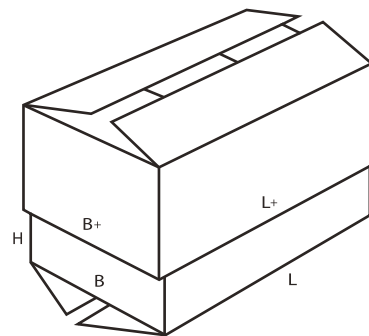
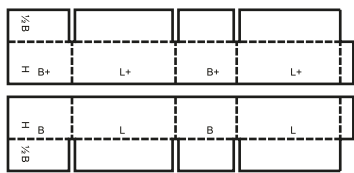
0300 M/A



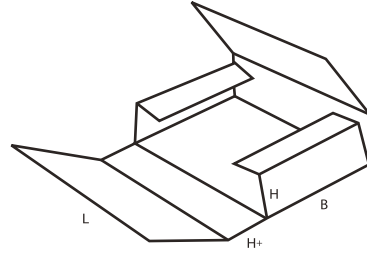
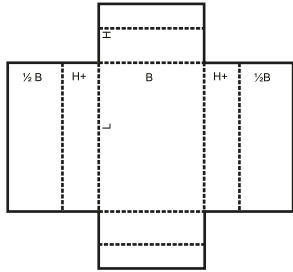
0310 M+A



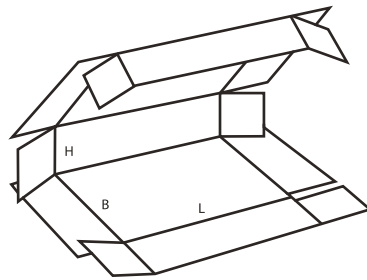
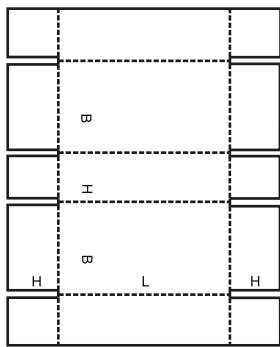
0320 M/A



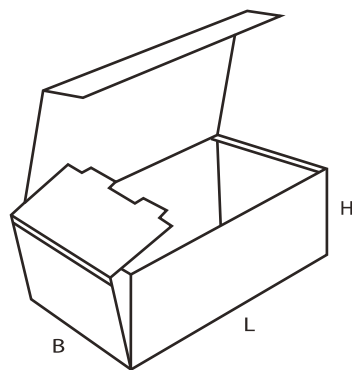
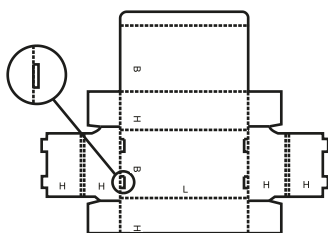
0401 M



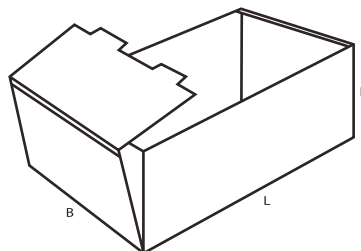
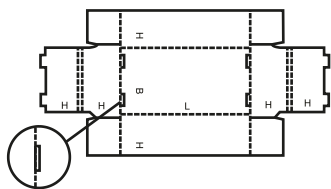
0409 M



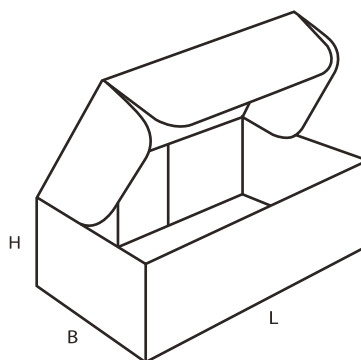
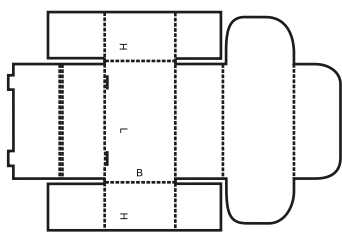
0421 M/A



0422 M/A



0426 M



0427 M

